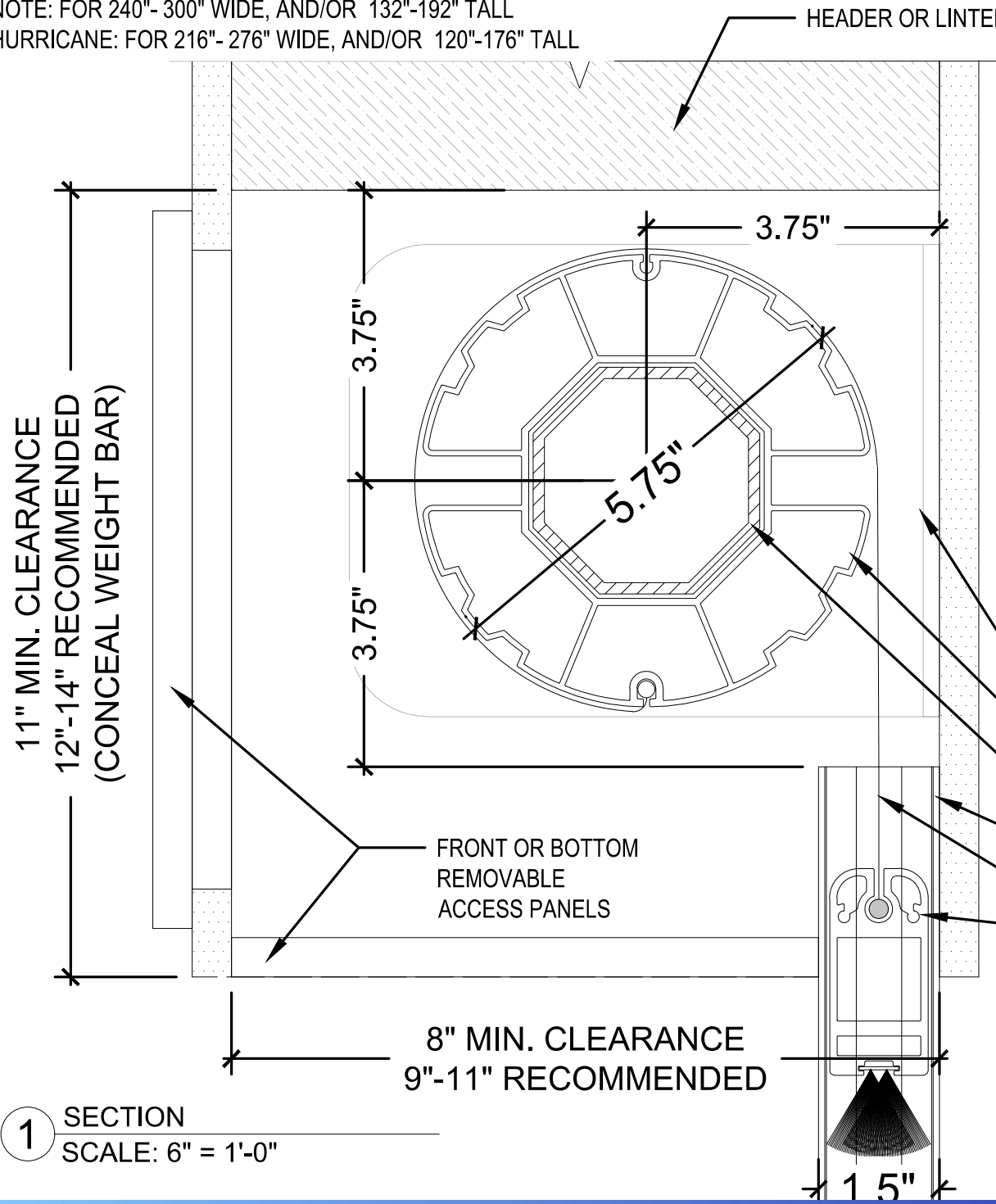


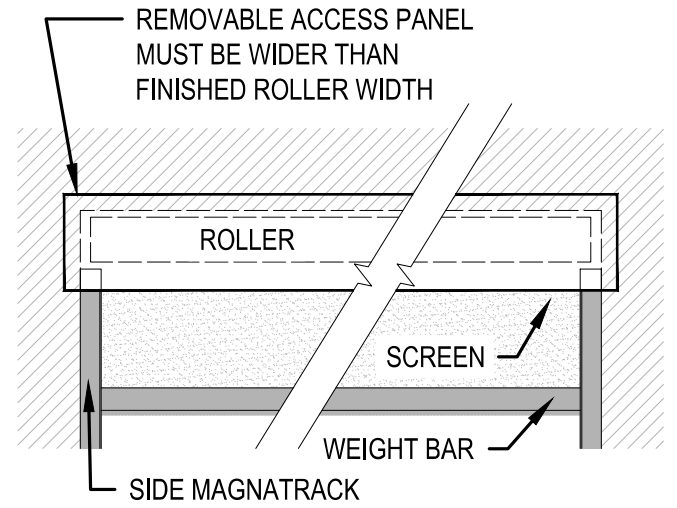
NOTE: FOR 240"- 300" WIDE, AND/OR 132"-192" TALL
 HURRICANE: FOR 216"- 276" WIDE, AND/OR 120"-176" TALL



11" MIN. CLEARANCE
 12"-14" RECOMMENDED
 (CONCEAL WEIGHT BAR)

1 SECTION
 SCALE: 6" = 1'-0"

8" MIN. CLEARANCE
 9"-11" RECOMMENDED



2 ELEVATION
 SCALE: 1/2" = 1'-0"

7.5" BRACKET

ROLLER

INSERT ROLLER

SIDE MAGNATRACK

SCREEN

WEIGHT BAR

Date: 02.25.22

Drawn by: AGL

WHILE EVERY ATTEMPT HAS BEEN MADE IN THE PREPARATION OF THESE DRAWINGS TO AVOID MISTAKE, THE DESIGNER CANNOT GUARANTEE AGAINST HUMAN ERROR. PRIOR TO THE COMMENCEMENT OF ANY WORK, CONTRACTOR/OWNER MUST VERIFY ALL CONDITIONS AND DIMENSIONS AT JOB SITE. THE CONTRACTOR/OWNER SHALL REPORT ALL DISCREPANCIES BETWEEN DRAWINGS AND EXISTING CONDITIONS TO THE DESIGNER PRIOR TO COMMENCING WORK.