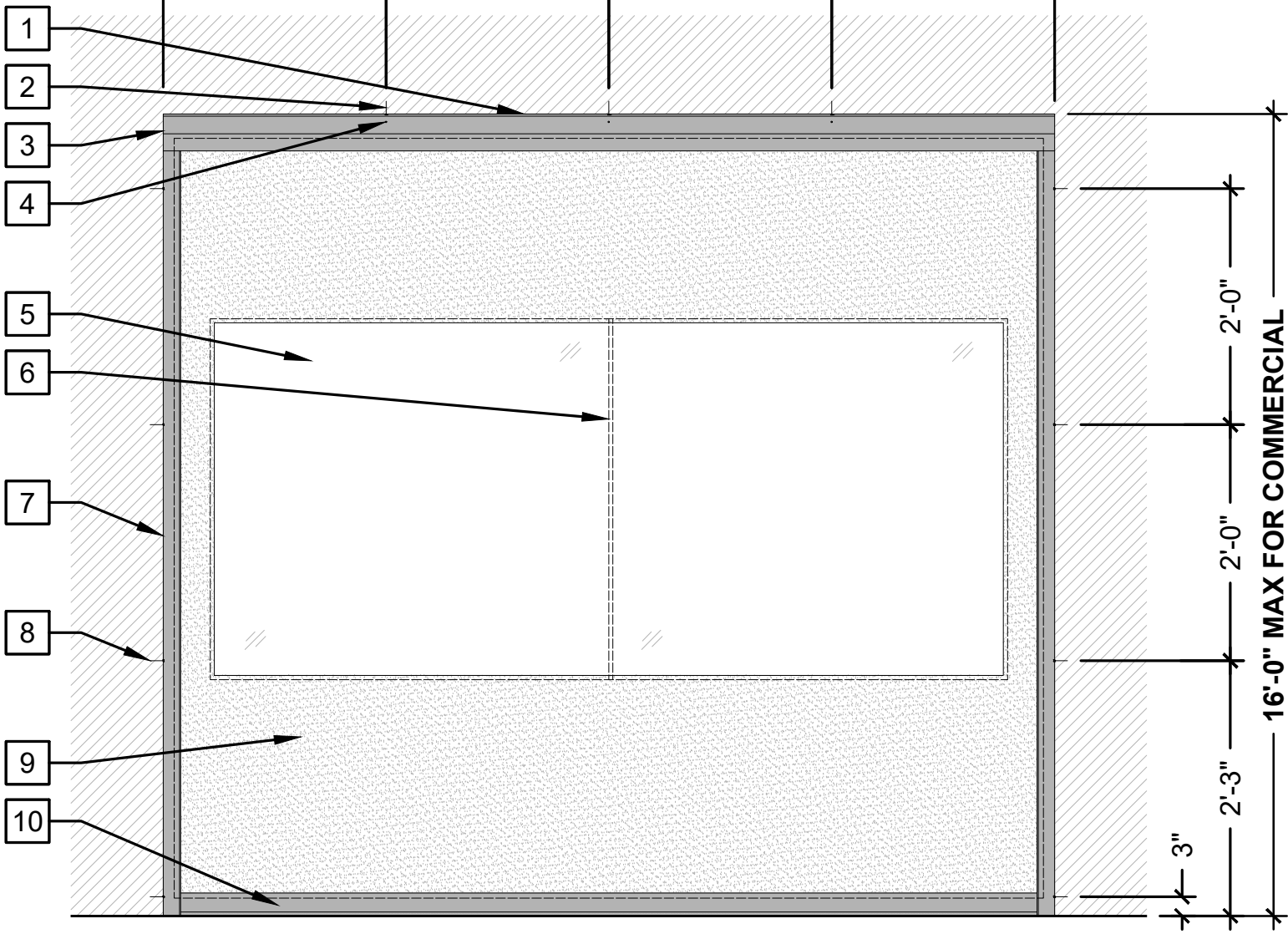


26'-0" MAX FOR COMMERCIAL

NOTE: APPROXIMATE SPACING

2'-0" 2'-0" 2'-0" 2'-0"



1. HOUSING UNIT
2. HOUSING ATTACHMENT SCREWS (IUH)
3. MOUNTING BRACKET AT EACH END
4. HOUSING ATTACHMENT SCREWS (OAH)
5. VINYL WINDOW (OPTIONAL)
6. WELDED SEAM
7. SIDE MAGNATRACK
8. SIDE MAGNATRACK ATTACHMENT SCREWS
9. SCREEN
10. WEIGHTED BAR

**NOTE**

5 1/2" HOUSING (MAX 240" WIDE / 132" TALL)  
 7" HOUSING (OVER 240"-300"  
 WIDE OR OVER 132" - 192" TALL)

**\*SUBJECT TO CHANGE WITHOUT NOTICE**

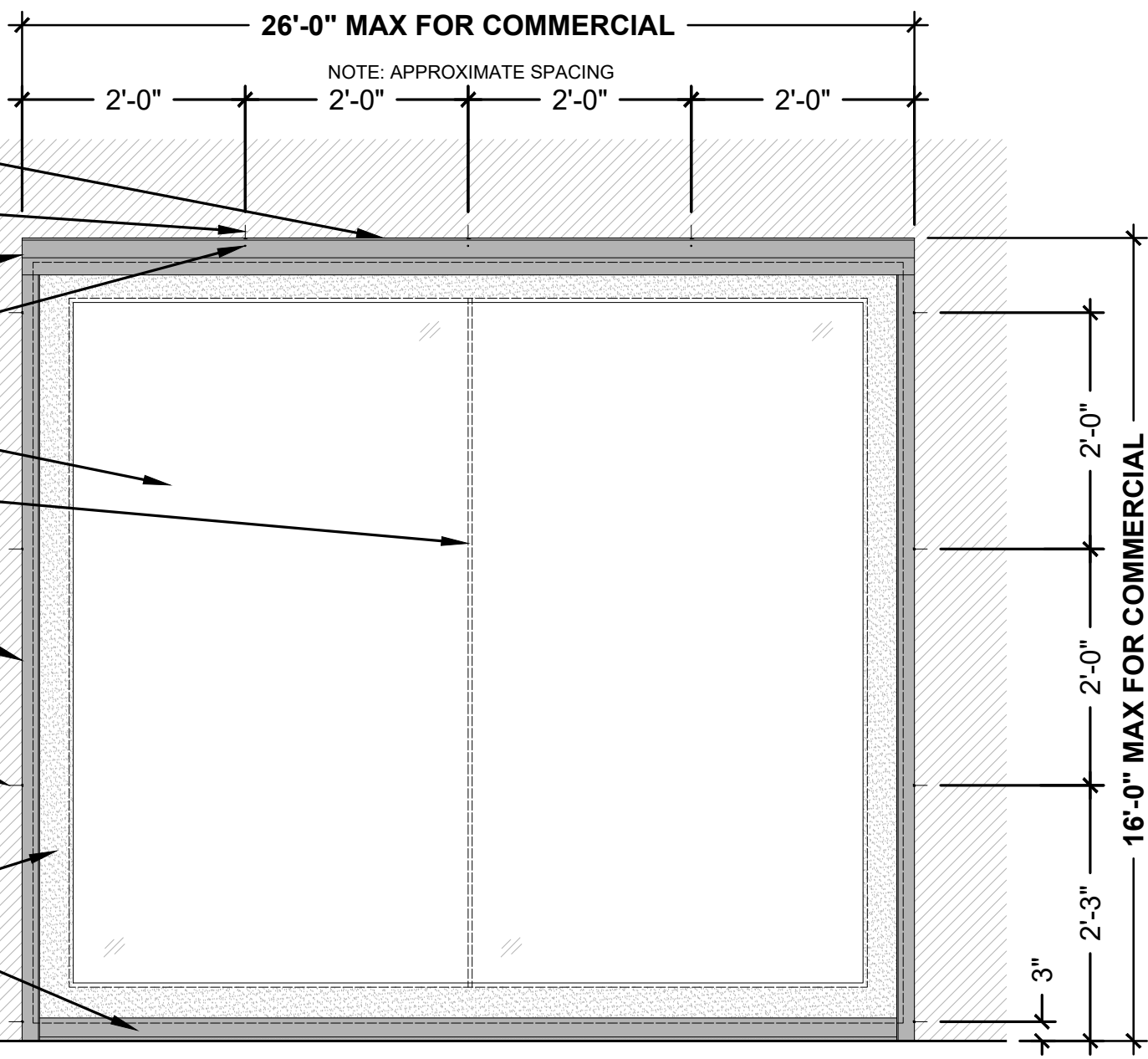
HOUSING END CAPS OR MOUNTING BRACKETS MUST BE SECURED PROPERLY AS THEY ARE THE LOAD BEARING POINTS OF THE SYSTEM. CENTER OF HOUSING ONLY NEED TO BE SECURED AS DEEMED NECESSARY TO STABILIZE HOUSING COVER. **NEVER PLACE FASTENERS IN THE MIDDLE OF HOUSING (TOP OR BACK)**

Date: 02.25.22

Drawn by: AGL

WHILE EVERY ATTEMPT HAS BEEN MADE IN THE PREPARATION OF THESE DRAWINGS TO AVOID MISTAKE, THE DESIGNER CANNOT GUARANTEE AGAINST HUMAN ERROR. PRIOR TO THE COMMENCEMENT OF ANY WORK, CONTRACTOR/OWNER MUST VERIFY ALL CONDITIONS AND DIMENSIONS AT JOB SITE. THE CONTRACTOR/OWNER SHALL REPORT ALL DISCREPANCIES BETWEEN DRAWINGS AND EXISTING CONDITIONS TO THE DESIGNER PRIOR TO COMMENCING WORK.

1 ELEVATION VIEW  
 SCALE: 1/2" = 1'-0"



1. HOUSING UNIT
2. HOUSING ATTACHMENT SCREWS (IUH)
3. MOUNTING BRACKET AT EACH END
4. HOUSING ATTACHMENT SCREWS (OAH)
5. VINYL WINDOW (OPTIONAL)
6. WELDED SEAM
7. SIDE MAGNATRACK
8. SIDE MAGNATRACK ATTACHMENT SCREWS
9. SCREEN
10. WEIGHTED BAR

**NOTE**

5 1/2" HOUSING (MAX 240" WIDE / 132" TALL)  
 7" HOUSING (OVER 240"-300"  
 WIDE OR OVER 132" - 192" TALL)

**\*SUBJECT TO CHANGE WITHOUT NOTICE**

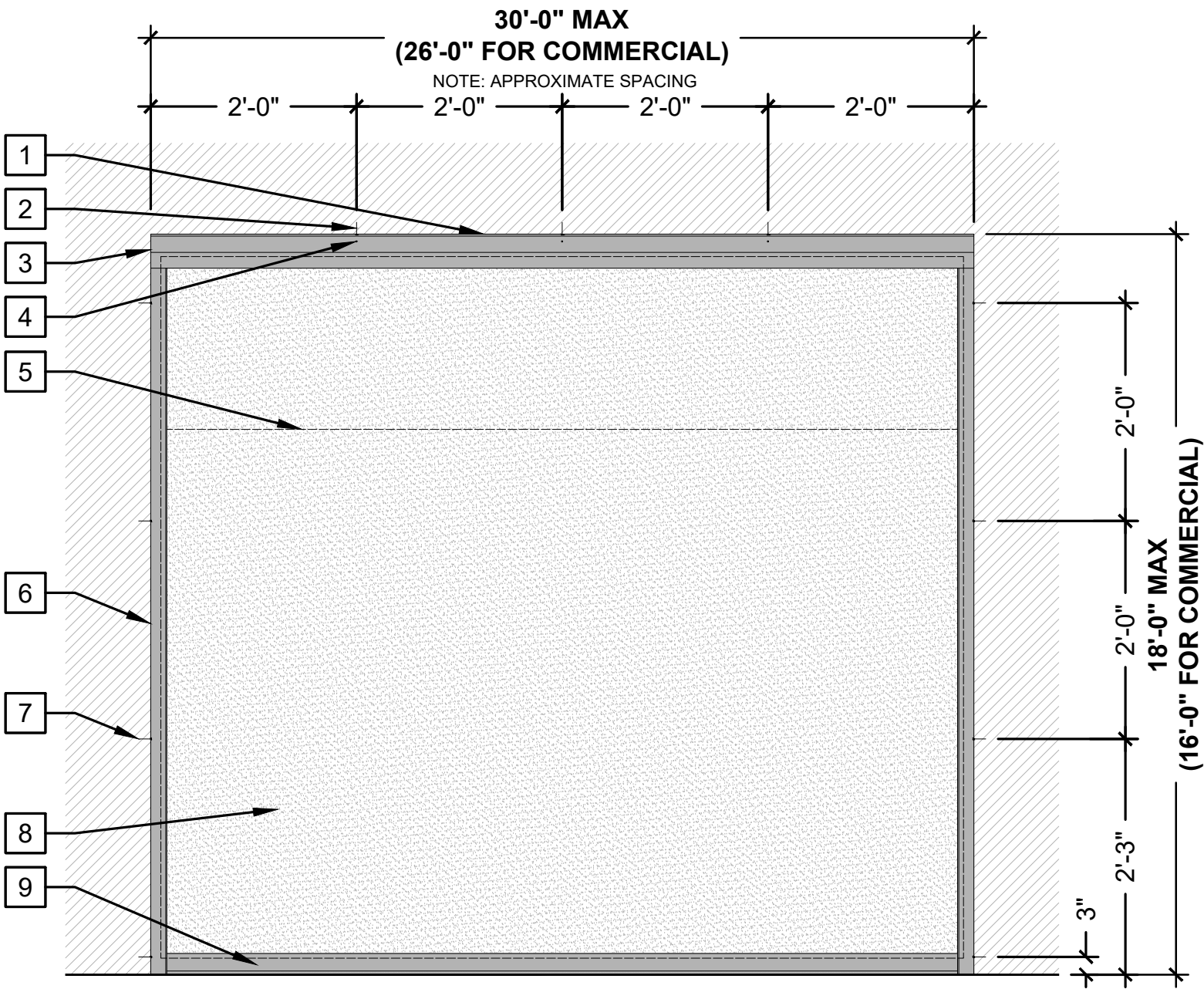
HOUSING END CAPS OR MOUNTING BRACKETS MUST BE SECURED PROPERLY AS THEY ARE THE LOAD BEARING POINTS OF THE SYSTEM. CENTER OF HOUSING ONLY NEED TO BE SECURED AS DEEMED NECESSARY TO STABILIZE HOUSING COVER.  
**NEVER PLACE FASTENERS IN THE MIDDLE OF HOUSING (TOP OR BACK)**

Date: 02.25.22

Drawn by: AGL

WHILE EVERY ATTEMPT HAS BEEN MADE IN THE PREPARATION OF THESE DRAWINGS TO AVOID MISTAKE, THE DESIGNER CANNOT GUARANTEE AGAINST HUMAN ERROR. PRIOR TO THE COMMENCEMENT OF ANY WORK, CONTRACTOR/OWNER MUST VERIFY ALL CONDITIONS AND DIMENSIONS AT JOB SITE. THE CONTRACTOR/OWNER SHALL REPORT ALL DISCREPANCIES BETWEEN DRAWINGS AND EXISTING CONDITIONS TO THE DESIGNER PRIOR TO COMMENCING WORK.

1 ELEVATION VIEW  
 SCALE: 1/2" = 1'-0"



1. HOUSING UNIT
2. HOUSING ATTACHMENT SCREWS (IUH)
3. MOUNTING BRACKET AT EACH END
4. HOUSING ATTACHMENT SCREWS (OAH)
5. POSSIBLE SEAM OVER 120"
6. SIDE MAGNATRACK
7. SIDE MAGNATRACK ATTACHMENT SCREWS
8. SCREEN
9. WEIGHTED BAR

**NOTE**

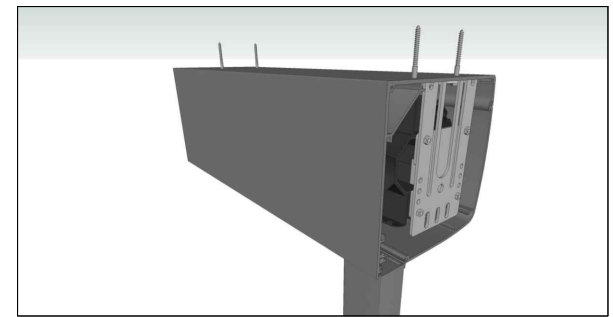
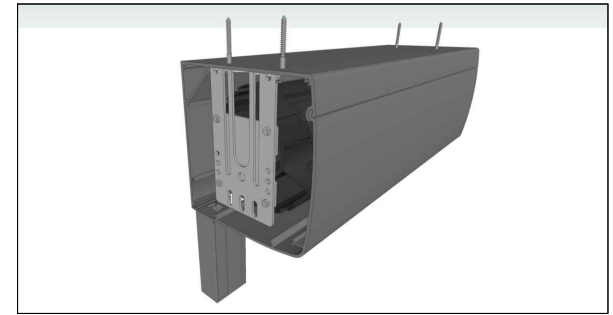
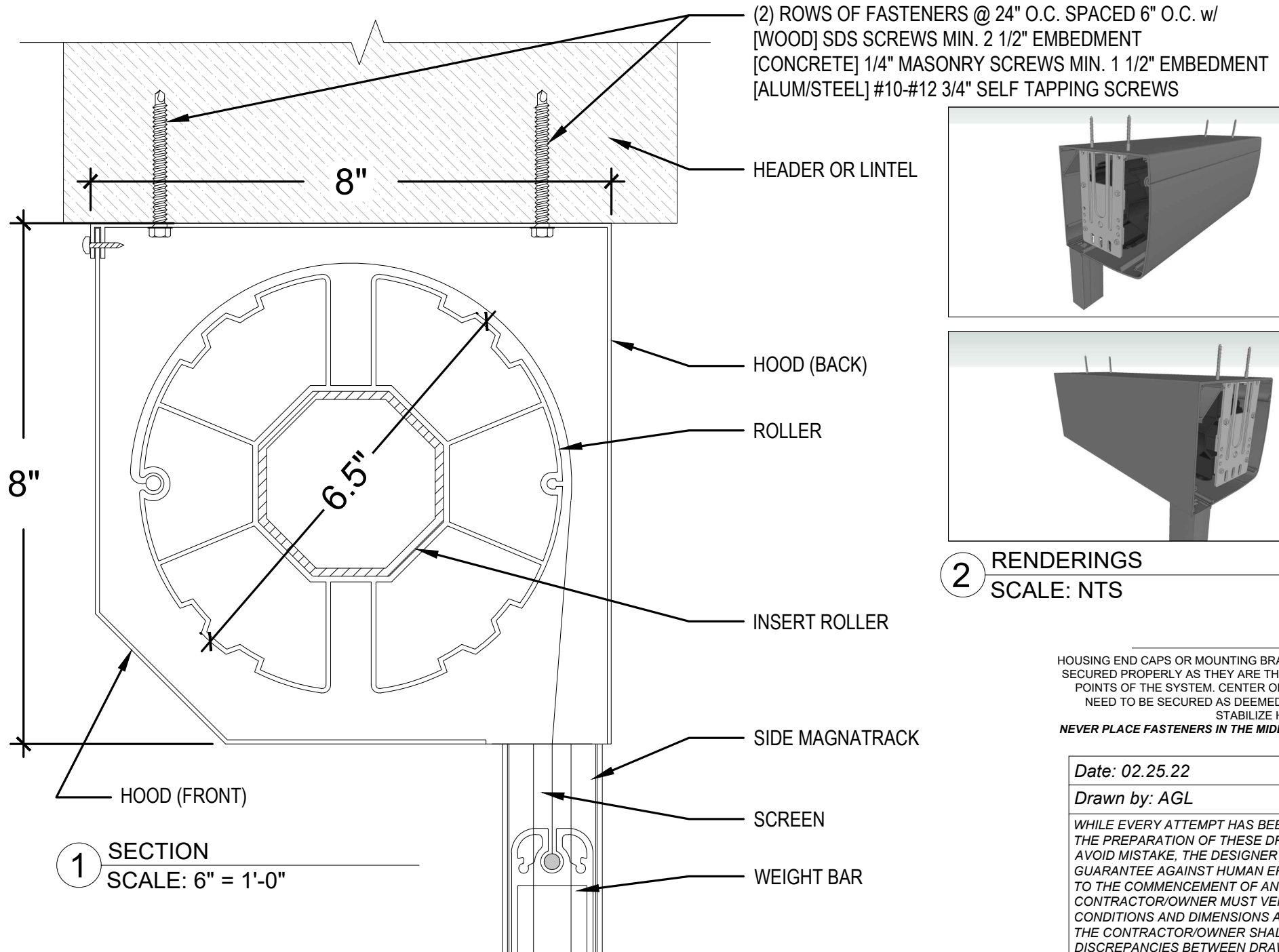
5 1/2" HOUSING (MAX 240" WIDE / 132" TALL)  
 7" HOUSING (OVER 240"-300"  
 WIDE OR OVER 132" - 192" TALL)

**\*SUBJECT TO CHANGE WITHOUT NOTICE**

HOUSING END CAPS OR MOUNTING BRACKETS MUST BE SECURED PROPERLY AS THEY ARE THE LOAD BEARING POINTS OF THE SYSTEM. CENTER OF HOUSING ONLY NEED TO BE SECURED AS DEEMED NECESSARY TO STABILIZE HOUSING COVER. **NEVER PLACE FASTENERS IN THE MIDDLE OF HOUSING (TOP OR BACK)**

Date: 02.25.22  
 Drawn by: AGL  
 WHILE EVERY ATTEMPT HAS BEEN MADE IN THE PREPARATION OF THESE DRAWINGS TO AVOID MISTAKE, THE DESIGNER CANNOT GUARANTEE AGAINST HUMAN ERROR. PRIOR TO THE COMMENCEMENT OF ANY WORK, CONTRACTOR/OWNER MUST VERIFY ALL CONDITIONS AND DIMENSIONS AT JOB SITE. THE CONTRACTOR/OWNER SHALL REPORT ALL DISCREPANCIES BETWEEN DRAWINGS AND EXISTING CONDITIONS TO THE DESIGNER PRIOR TO COMMENCING WORK.

1 ELEVATION VIEW  
 SCALE: 1/2" = 1'-0"

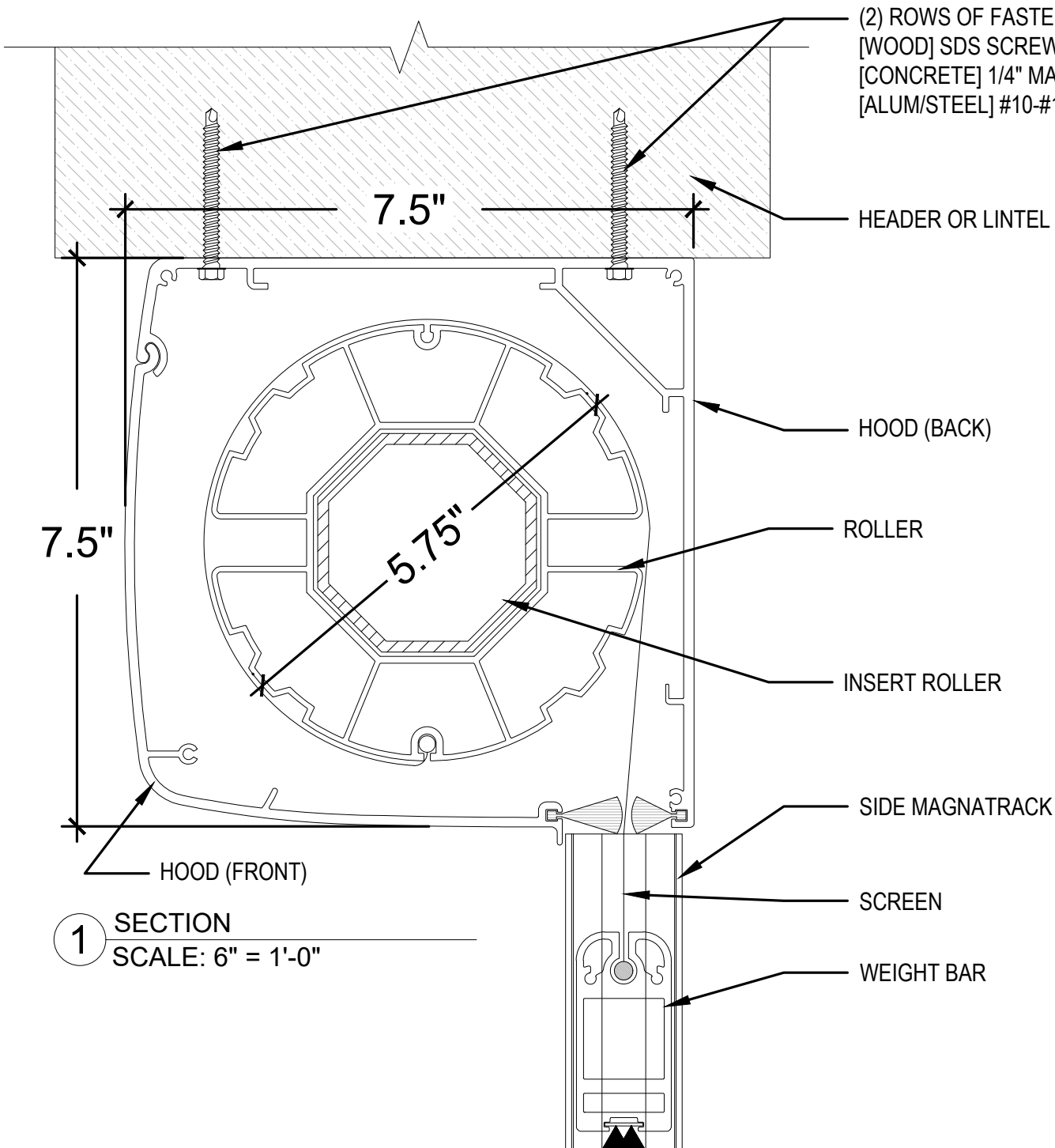


2 RENDERINGS  
 SCALE: NTS

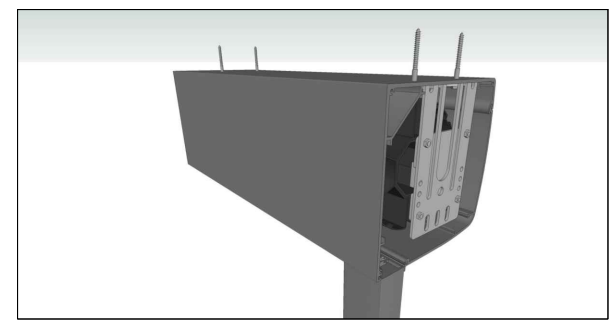
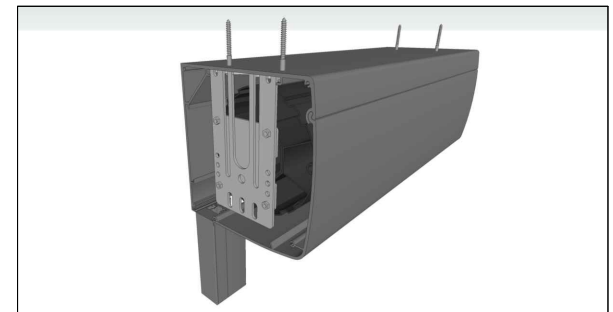
**NOTE**

HOUSING END CAPS OR MOUNTING BRACKETS MUST BE SECURED PROPERLY AS THEY ARE THE LOAD BEARING POINTS OF THE SYSTEM. CENTER OF HOUSING ONLY NEED TO BE SECURED AS DEEMED NECESSARY TO STABILIZE HOUSING COVER.  
**NEVER PLACE FASTENERS IN THE MIDDLE OF HOUSING (TOP OR BACK)**

Date: 02.25.22
Drawn by: AGL
<p>WHILE EVERY ATTEMPT HAS BEEN MADE IN THE PREPARATION OF THESE DRAWINGS TO AVOID MISTAKE, THE DESIGNER CANNOT GUARANTEE AGAINST HUMAN ERROR. PRIOR TO THE COMMENCEMENT OF ANY WORK, CONTRACTOR/OWNER MUST VERIFY ALL CONDITIONS AND DIMENSIONS AT JOB SITE. THE CONTRACTOR/OWNER SHALL REPORT ALL DISCREPANCIES BETWEEN DRAWINGS AND EXISTING CONDITIONS TO THE DESIGNER PRIOR TO COMMENCING WORK.</p>



1 SECTION  
 SCALE: 6" = 1'-0"

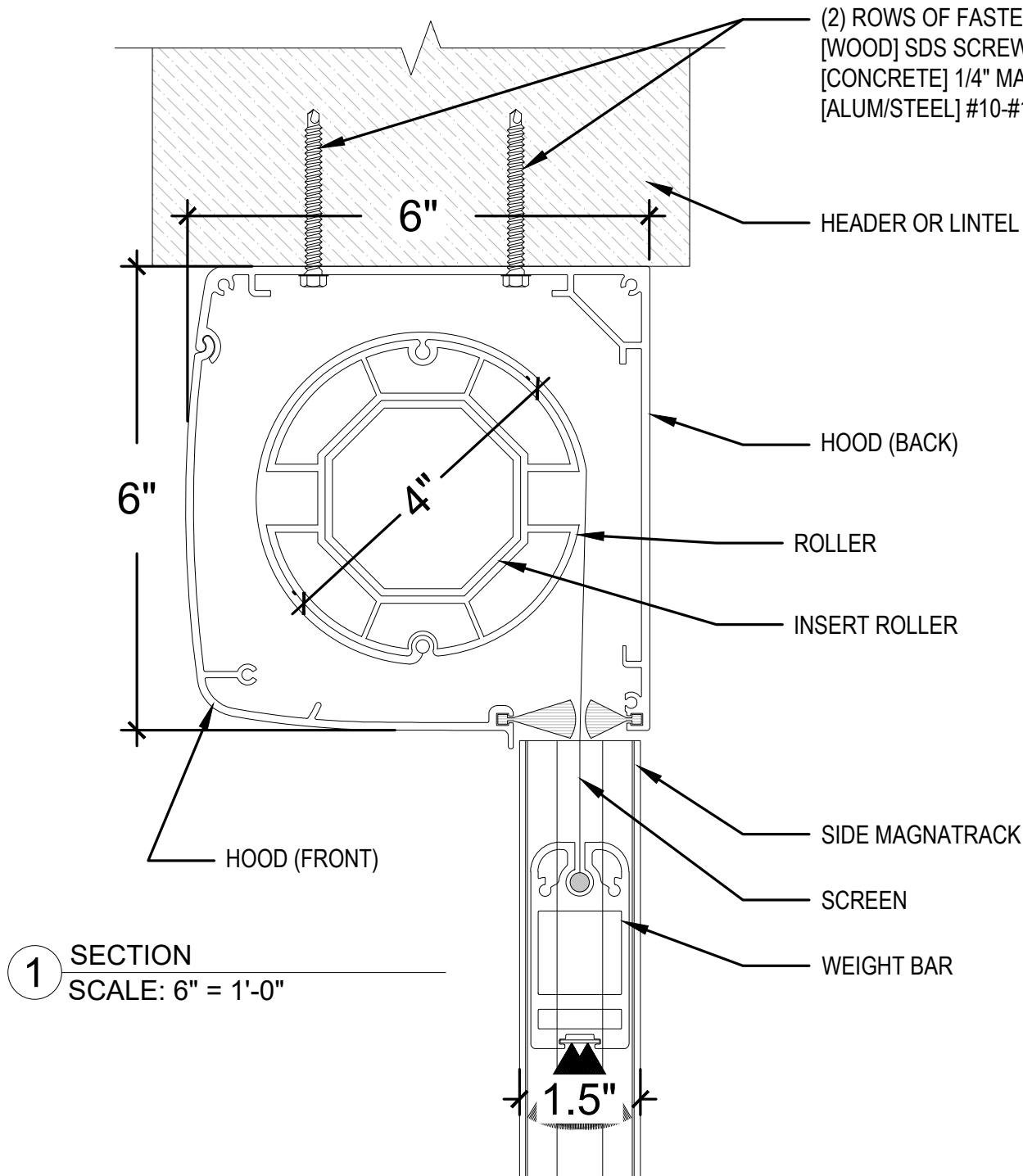


2 RENDERINGS  
 SCALE: NTS

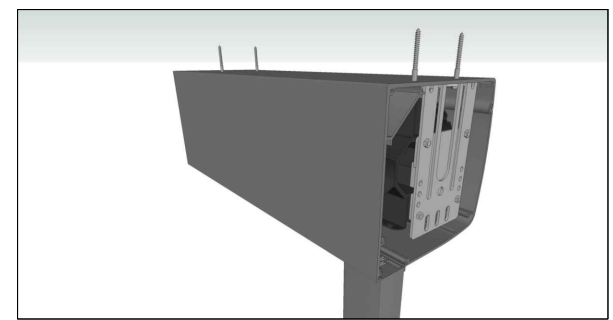
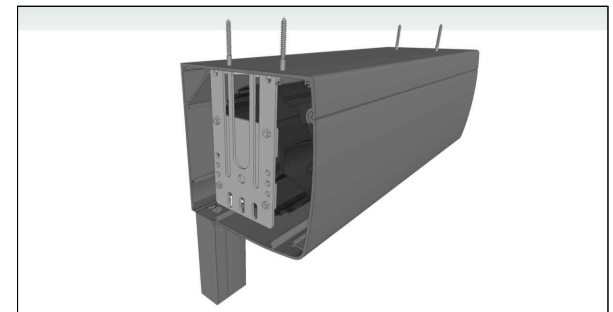
**NOTE**

HOUSING END CAPS OR MOUNTING BRACKETS MUST BE SECURED PROPERLY AS THEY ARE THE LOAD BEARING POINTS OF THE SYSTEM. CENTER OF HOUSING ONLY NEED TO BE SECURED AS DEEMED NECESSARY TO STABILIZE HOUSING COVER.  
**NEVER PLACE FASTENERS IN THE MIDDLE OF HOUSING (TOP OR BACK)**

Date: 02.25.22
Drawn by: AGL
WHILE EVERY ATTEMPT HAS BEEN MADE IN THE PREPARATION OF THESE DRAWINGS TO AVOID MISTAKE, THE DESIGNER CANNOT GUARANTEE AGAINST HUMAN ERROR. PRIOR TO THE COMMENCEMENT OF ANY WORK, CONTRACTOR/OWNER MUST VERIFY ALL CONDITIONS AND DIMENSIONS AT JOB SITE. THE CONTRACTOR/OWNER SHALL REPORT ALL DISCREPANCIES BETWEEN DRAWINGS AND EXISTING CONDITIONS TO THE DESIGNER PRIOR TO COMMENCING WORK.



1 SECTION  
SCALE: 6" = 1'-0"

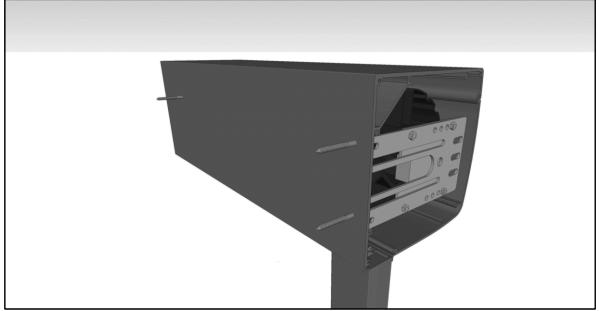
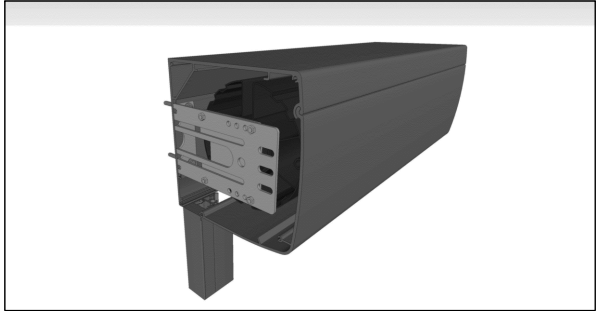
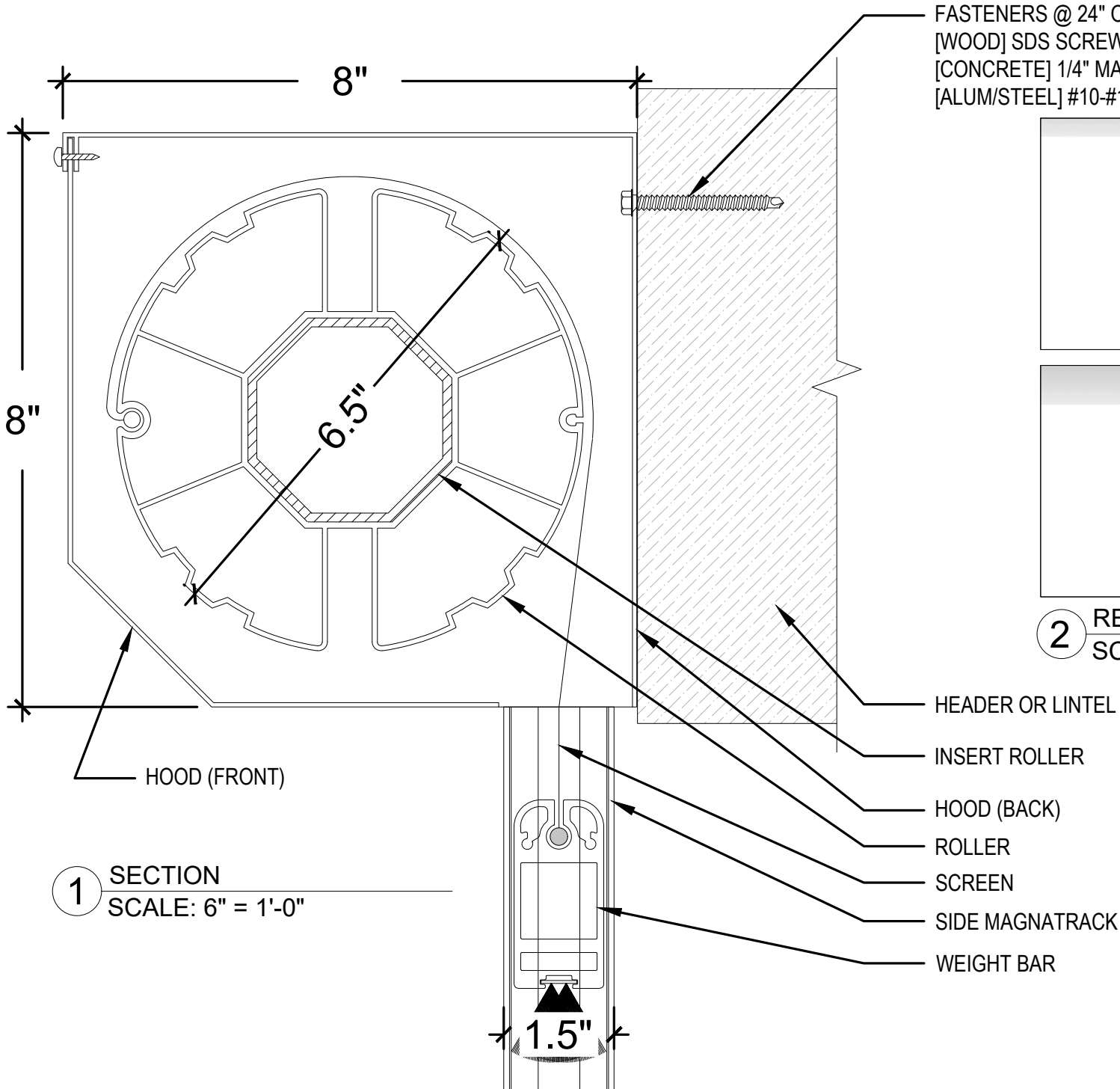


2 RENDERINGS  
SCALE: NTS

**NOTE**

HOUSING END CAPS OR MOUNTING BRACKETS MUST BE SECURED PROPERLY AS THEY ARE THE LOAD BEARING POINTS OF THE SYSTEM. CENTER OF HOUSING ONLY NEED TO BE SECURED AS DEEMED NECESSARY TO STABILIZE HOUSING COVER.  
**NEVER PLACE FASTENERS IN THE MIDDLE OF HOUSING (TOP OR BACK)**

Date: 02.25.22
Drawn by: AGL
<p>WHILE EVERY ATTEMPT HAS BEEN MADE IN THE PREPARATION OF THESE DRAWINGS TO AVOID MISTAKE, THE DESIGNER CANNOT GUARANTEE AGAINST HUMAN ERROR. PRIOR TO THE COMMENCEMENT OF ANY WORK, CONTRACTOR/OWNER MUST VERIFY ALL CONDITIONS AND DIMENSIONS AT JOB SITE. THE CONTRACTOR/OWNER SHALL REPORT ALL DISCREPANCIES BETWEEN DRAWINGS AND EXISTING CONDITIONS TO THE DESIGNER PRIOR TO COMMENCING WORK.</p>



2 RENDERINGS  
 SCALE: NTS

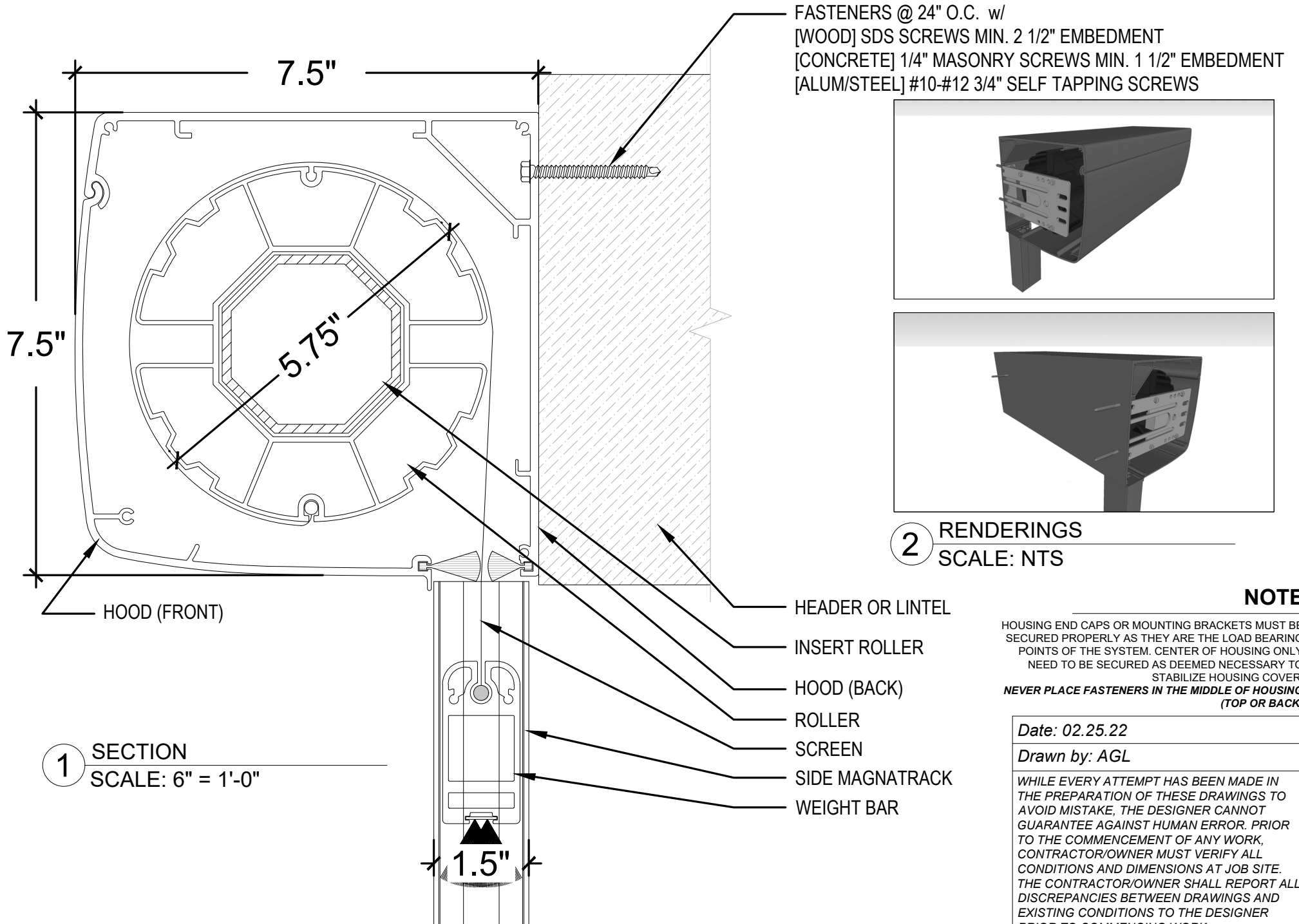
**NOTE**

HOUSING END CAPS OR MOUNTING BRACKETS MUST BE SECURED PROPERLY AS THEY ARE THE LOAD BEARING POINTS OF THE SYSTEM. CENTER OF HOUSING ONLY NEED TO BE SECURED AS DEEMED NECESSARY TO STABILIZE HOUSING COVER.  
**NEVER PLACE FASTENERS IN THE MIDDLE OF HOUSING (TOP OR BACK)**

Date: 02.25.22

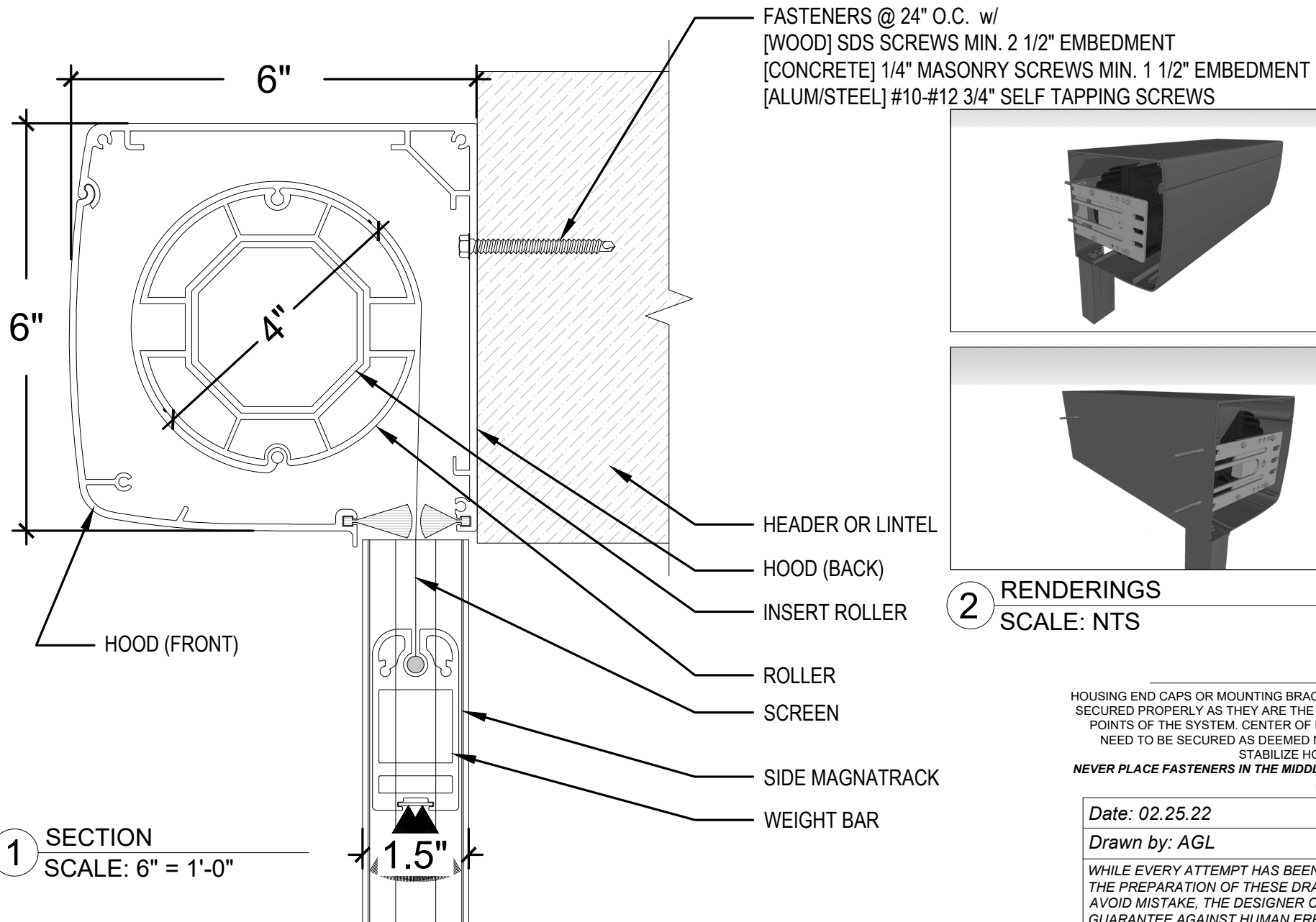
Drawn by: AGL

WHILE EVERY ATTEMPT HAS BEEN MADE IN THE PREPARATION OF THESE DRAWINGS TO AVOID MISTAKE, THE DESIGNER CANNOT GUARANTEE AGAINST HUMAN ERROR. PRIOR TO THE COMMENCEMENT OF ANY WORK, CONTRACTOR/OWNER MUST VERIFY ALL CONDITIONS AND DIMENSIONS AT JOB SITE. THE CONTRACTOR/OWNER SHALL REPORT ALL DISCREPANCIES BETWEEN DRAWINGS AND EXISTING CONDITIONS TO THE DESIGNER PRIOR TO COMMENCING WORK.

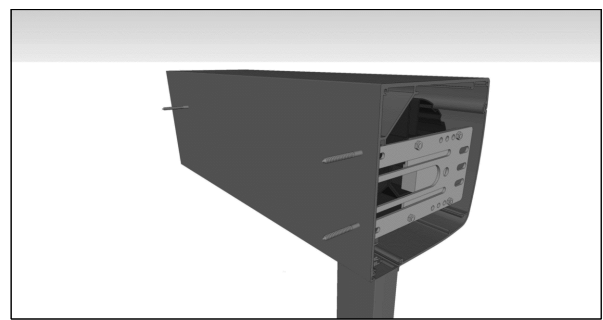


1 SECTION  
 SCALE: 6" = 1'-0"





1 SECTION  
 SCALE: 6" = 1'-0"



2 RENDERINGS  
 SCALE: NTS

**NOTE**

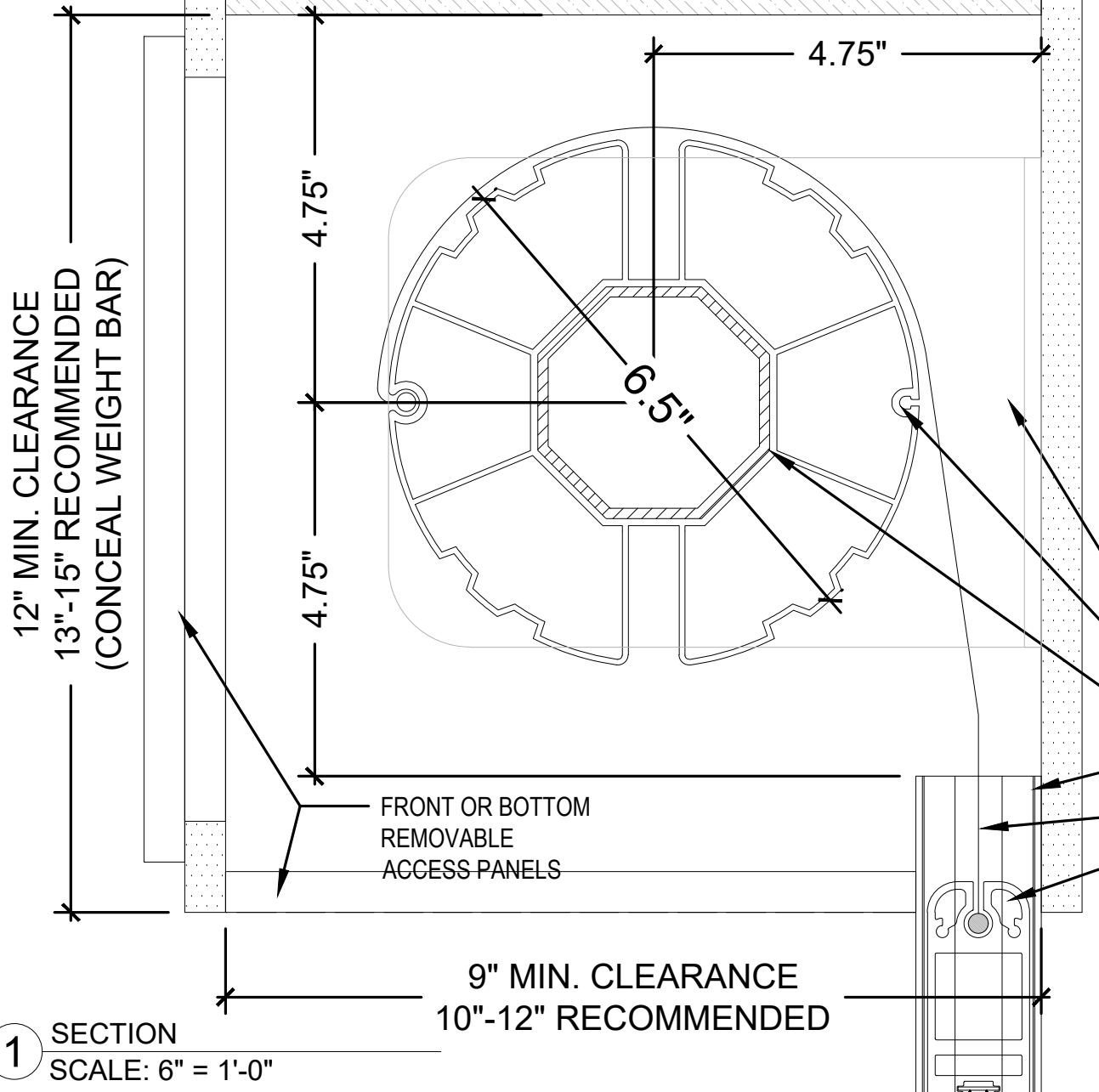
HOUSING END CAPS OR MOUNTING BRACKETS MUST BE SECURED PROPERLY AS THEY ARE THE LOAD BEARING POINTS OF THE SYSTEM. CENTER OF HOUSING ONLY NEED TO BE SECURED AS DEEMED NECESSARY TO STABILIZE HOUSING COVER.  
**NEVER PLACE FASTENERS IN THE MIDDLE OF HOUSING (TOP OR BACK)**

Date: 02.25.22

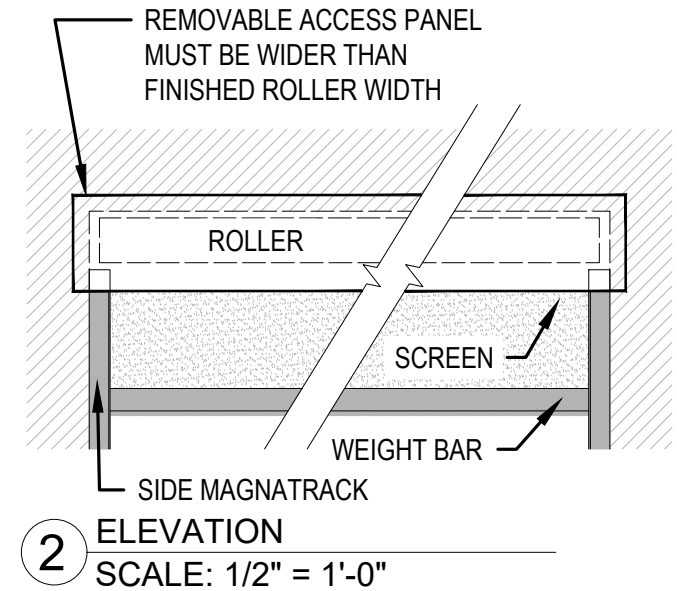
Drawn by: AGL

WHILE EVERY ATTEMPT HAS BEEN MADE IN THE PREPARATION OF THESE DRAWINGS TO AVOID MISTAKE, THE DESIGNER CANNOT GUARANTEE AGAINST HUMAN ERROR. PRIOR TO THE COMMENCEMENT OF ANY WORK, CONTRACTOR/OWNER MUST VERIFY ALL CONDITIONS AND DIMENSIONS AT JOB SITE. THE CONTRACTOR/OWNER SHALL REPORT ALL DISCREPANCIES BETWEEN DRAWINGS AND EXISTING CONDITIONS TO THE DESIGNER PRIOR TO COMMENCING WORK.

NOTE: FOR 300" - 360" WIDE, AND/OR OVER 192" TALL  
 HURRICANE: FOR 276" - 360" WIDE, AND/OR OVER 176" TALL



1 SECTION  
 SCALE: 6" = 1'-0"



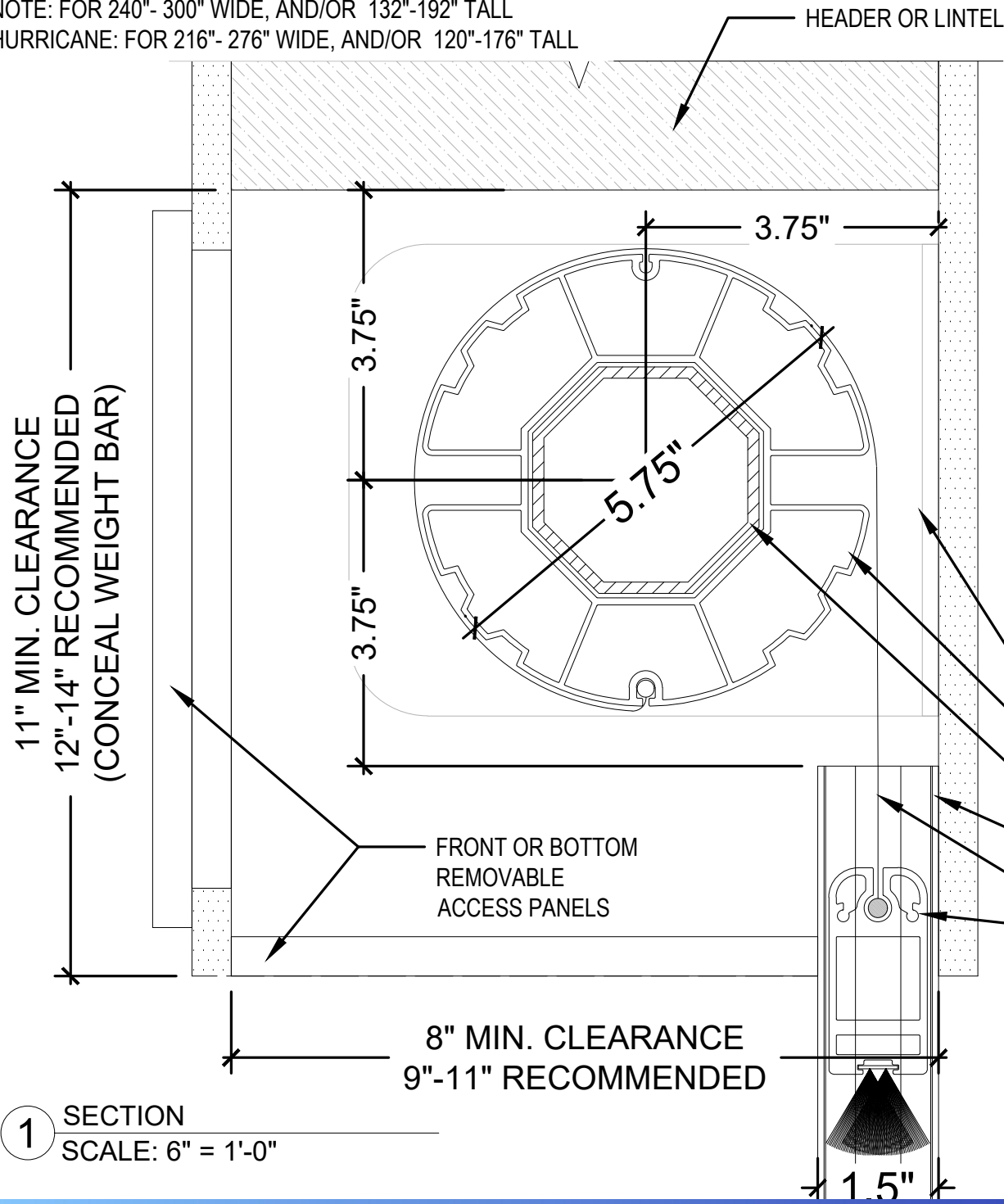
2 ELEVATION  
 SCALE: 1/2" = 1'-0"

- 8" BRACKET
- ROLLER
- INSERT ROLLER
- SIDE MAGNATRACK
- SCREEN
- WEIGHT BAR

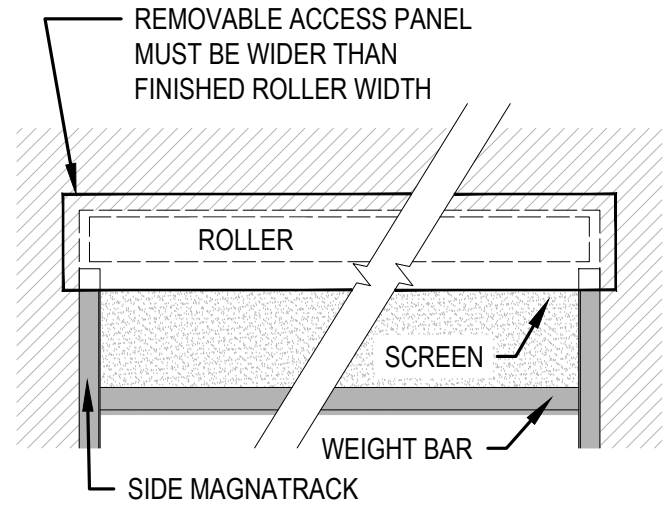
Date: 02.25.22  
 Drawn by: AGL

*WHILE EVERY ATTEMPT HAS BEEN MADE IN THE PREPARATION OF THESE DRAWINGS TO AVOID MISTAKE, THE DESIGNER CANNOT GUARANTEE AGAINST HUMAN ERROR. PRIOR TO THE COMMENCEMENT OF ANY WORK, CONTRACTOR/OWNER MUST VERIFY ALL CONDITIONS AND DIMENSIONS AT JOB SITE. THE CONTRACTOR/OWNER SHALL REPORT ALL DISCREPANCIES BETWEEN DRAWINGS AND EXISTING CONDITIONS TO THE DESIGNER PRIOR TO COMMENCING WORK.*

NOTE: FOR 240"- 300" WIDE, AND/OR 132"-192" TALL  
 HURRICANE: FOR 216"- 276" WIDE, AND/OR 120"-176" TALL



1 SECTION  
 SCALE: 6" = 1'-0"

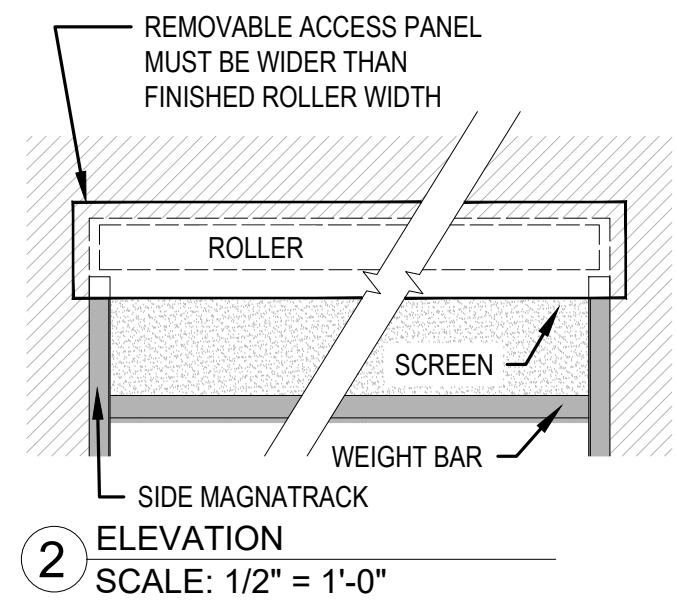
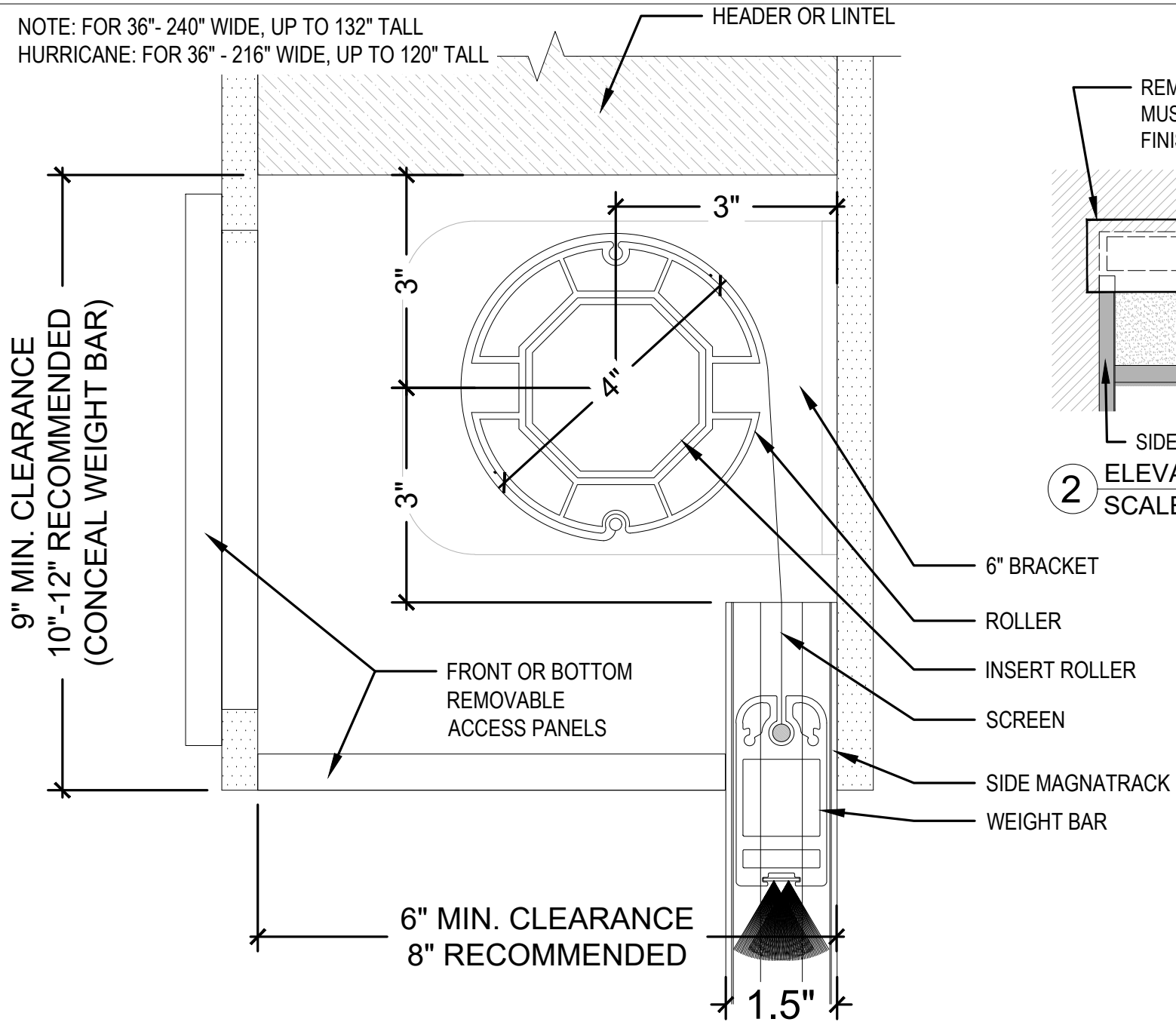


2 ELEVATION  
 SCALE: 1/2" = 1'-0"

- 7.5" BRACKET
- ROLLER
- INSERT ROLLER
- SIDE MAGNATRACK
- SCREEN
- WEIGHT BAR

Date: 02.25.22  
 Drawn by: AGL  
 WHILE EVERY ATTEMPT HAS BEEN MADE IN THE PREPARATION OF THESE DRAWINGS TO AVOID MISTAKE, THE DESIGNER CANNOT GUARANTEE AGAINST HUMAN ERROR. PRIOR TO THE COMMENCEMENT OF ANY WORK, CONTRACTOR/OWNER MUST VERIFY ALL CONDITIONS AND DIMENSIONS AT JOB SITE. THE CONTRACTOR/OWNER SHALL REPORT ALL DISCREPANCIES BETWEEN DRAWINGS AND EXISTING CONDITIONS TO THE DESIGNER PRIOR TO COMMENCING WORK.

NOTE: FOR 36" - 240" WIDE, UP TO 132" TALL  
 HURRICANE: FOR 36" - 216" WIDE, UP TO 120" TALL

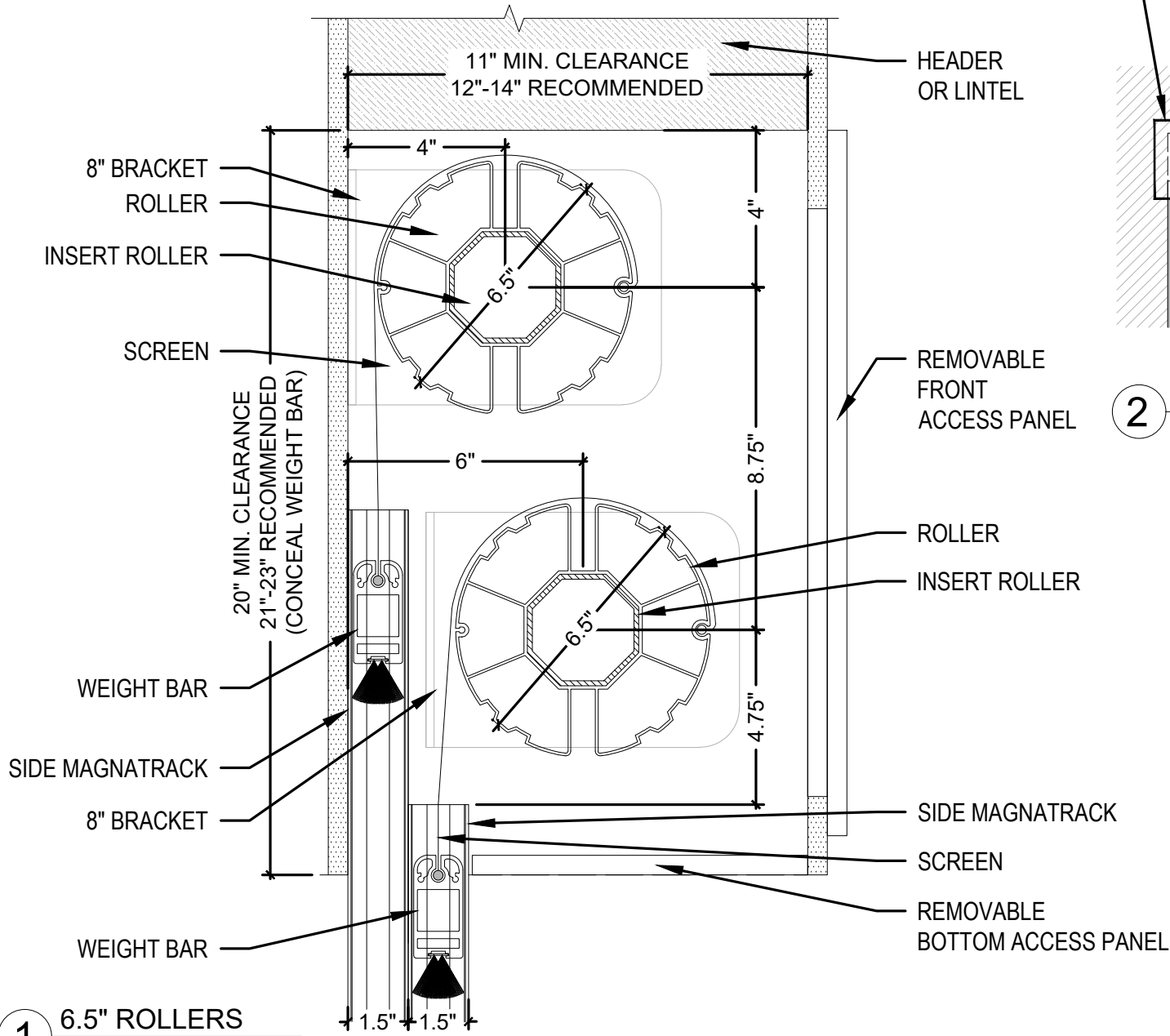


1 SECTION  
 SCALE: 6" = 1'-0"

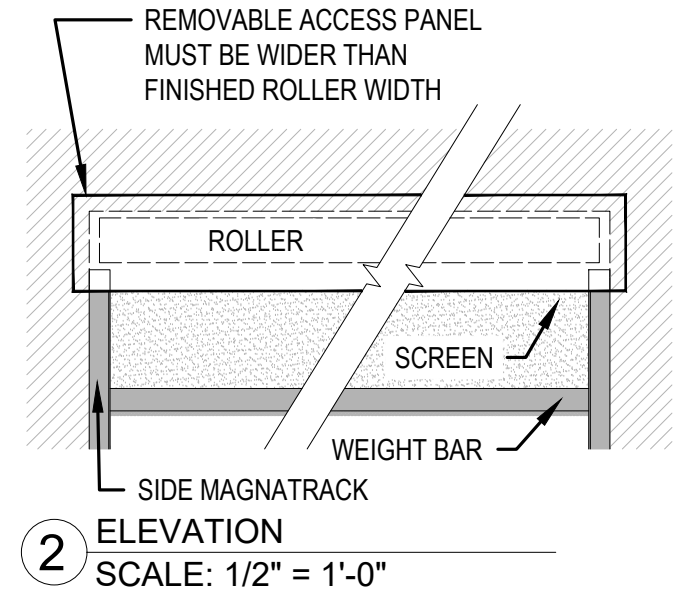
2 ELEVATION  
 SCALE: 1/2" = 1'-0"

Date: 02.25.22  
 Drawn by: AGL  
 WHILE EVERY ATTEMPT HAS BEEN MADE IN THE PREPARATION OF THESE DRAWINGS TO AVOID MISTAKE, THE DESIGNER CANNOT GUARANTEE AGAINST HUMAN ERROR. PRIOR TO THE COMMENCEMENT OF ANY WORK, CONTRACTOR/OWNER MUST VERIFY ALL CONDITIONS AND DIMENSIONS AT JOB SITE. THE CONTRACTOR/OWNER SHALL REPORT ALL DISCREPANCIES BETWEEN DRAWINGS AND EXISTING CONDITIONS TO THE DESIGNER PRIOR TO COMMENCING WORK.

NOTE: FOR 300" - 360" WIDE, AND/OR OVER 192" TALL  
 HURRICANE: FOR 276" - 360" WIDE, AND/OR OVER 176" TALL



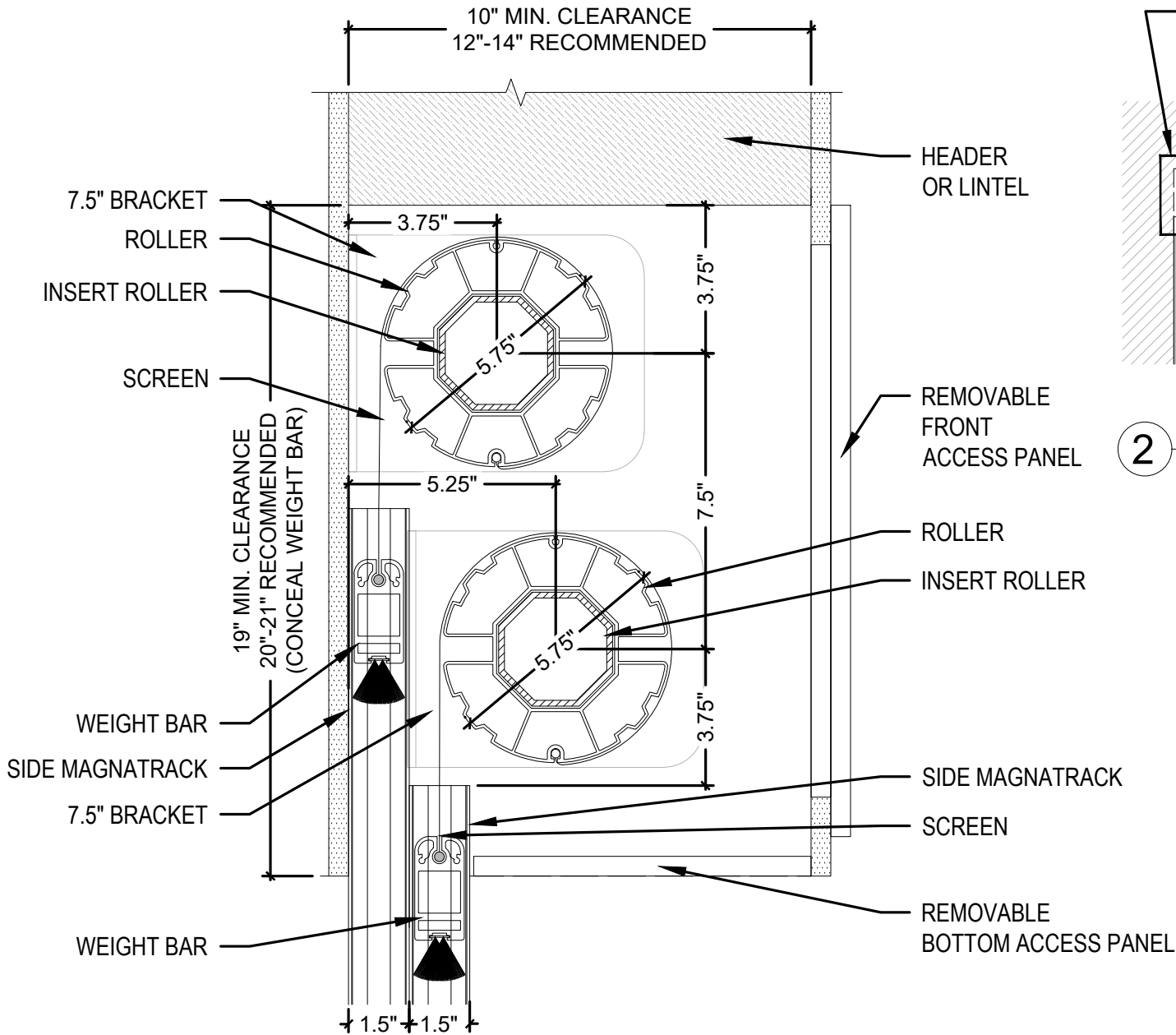
1 6.5" ROLLERS  
SCALE: 3" = 1'-0"



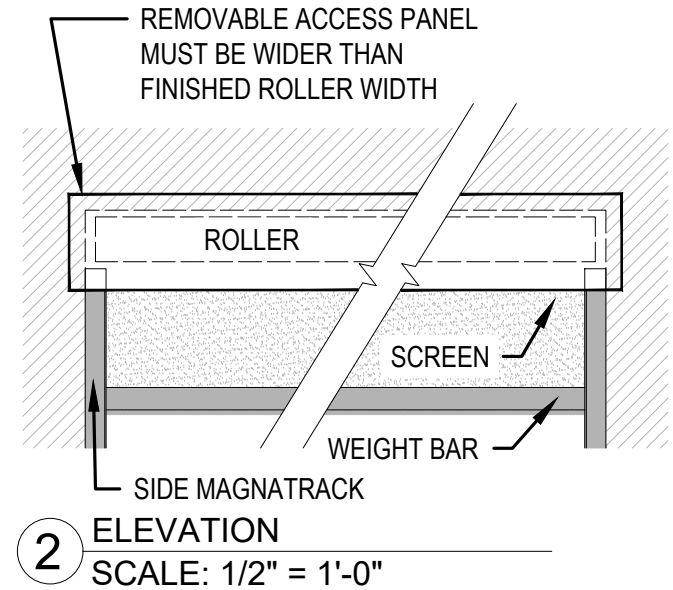
Date: 02.25.22  
 Drawn by: AGL

WHILE EVERY ATTEMPT HAS BEEN MADE IN THE PREPARATION OF THESE DRAWINGS TO AVOID MISTAKE, THE DESIGNER CANNOT GUARANTEE AGAINST HUMAN ERROR. PRIOR TO THE COMMENCEMENT OF ANY WORK, CONTRACTOR/OWNER MUST VERIFY ALL CONDITIONS AND DIMENSIONS AT JOB SITE. THE CONTRACTOR/OWNER SHALL REPORT ALL DISCREPANCIES BETWEEN DRAWINGS AND EXISTING CONDITIONS TO THE DESIGNER PRIOR TO COMMENCING WORK.

NOTE: FOR 240"- 300" WIDE, AND/OR 132"-192" TALL  
 HURRICANE: FOR 216"- 276" WIDE, AND/OR 120"-176" TALL



1 5.5" ROLLERS  
SCALE: 3" = 1'-0"

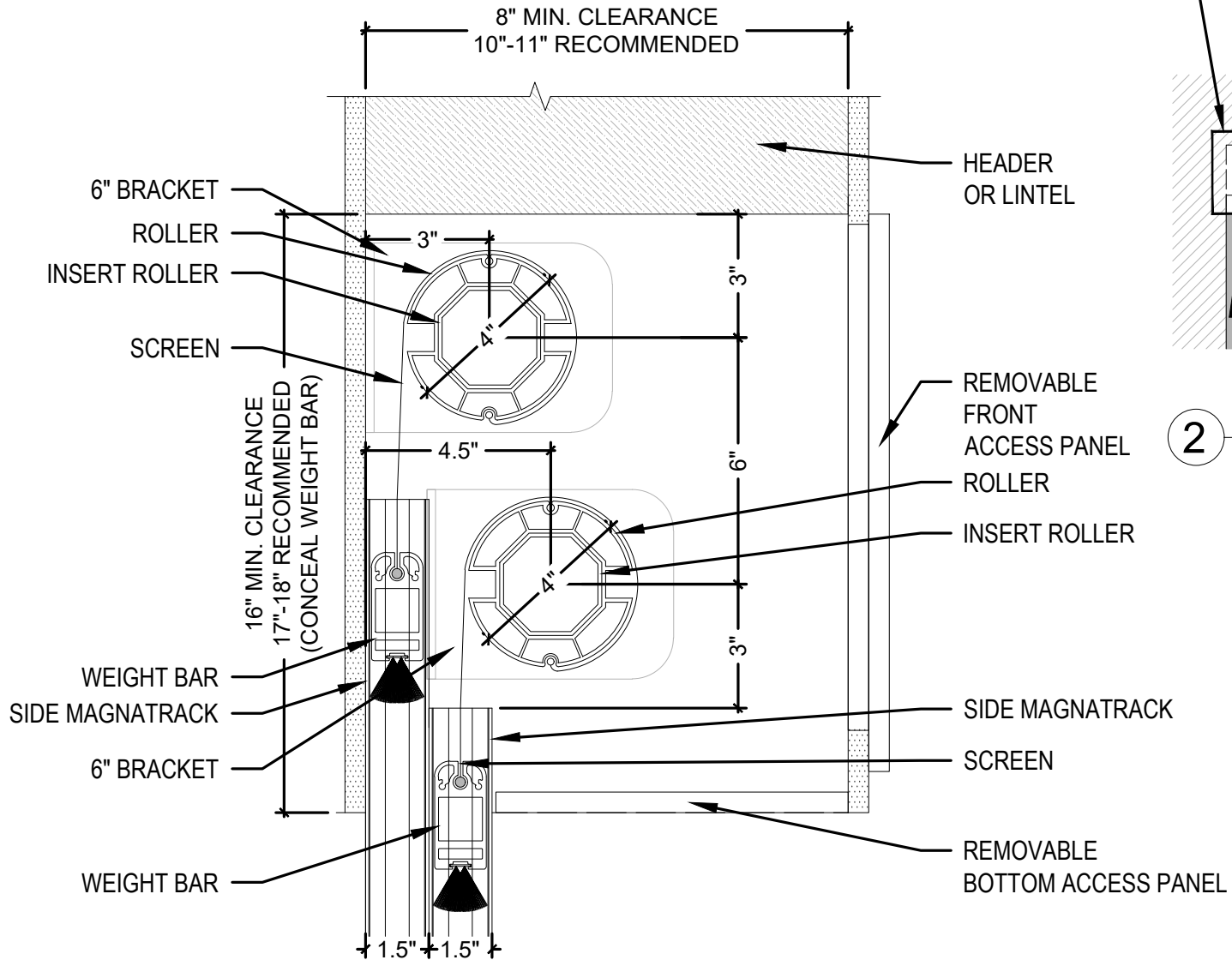


Date: 02.25.22

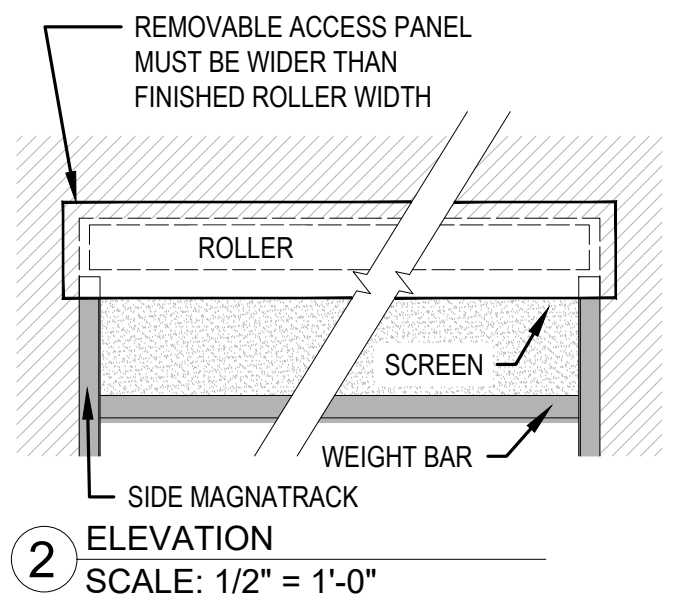
Drawn by: AGL

WHILE EVERY ATTEMPT HAS BEEN MADE IN THE PREPARATION OF THESE DRAWINGS TO AVOID MISTAKE, THE DESIGNER CANNOT GUARANTEE AGAINST HUMAN ERROR. PRIOR TO THE COMMENCEMENT OF ANY WORK, CONTRACTOR/OWNER MUST VERIFY ALL CONDITIONS AND DIMENSIONS AT JOB SITE. THE CONTRACTOR/OWNER SHALL REPORT ALL DISCREPANCIES BETWEEN DRAWINGS AND EXISTING CONDITIONS TO THE DESIGNER PRIOR TO COMMENCING WORK.

NOTE: FOR 36" - 240" WIDE, UP TO 132" TALL  
 HURRICANE: FOR 36" - 216" WIDE, UP TO 120" TALL



**1** 4" ROLLERS  
 SCALE: 3" = 1'-0"

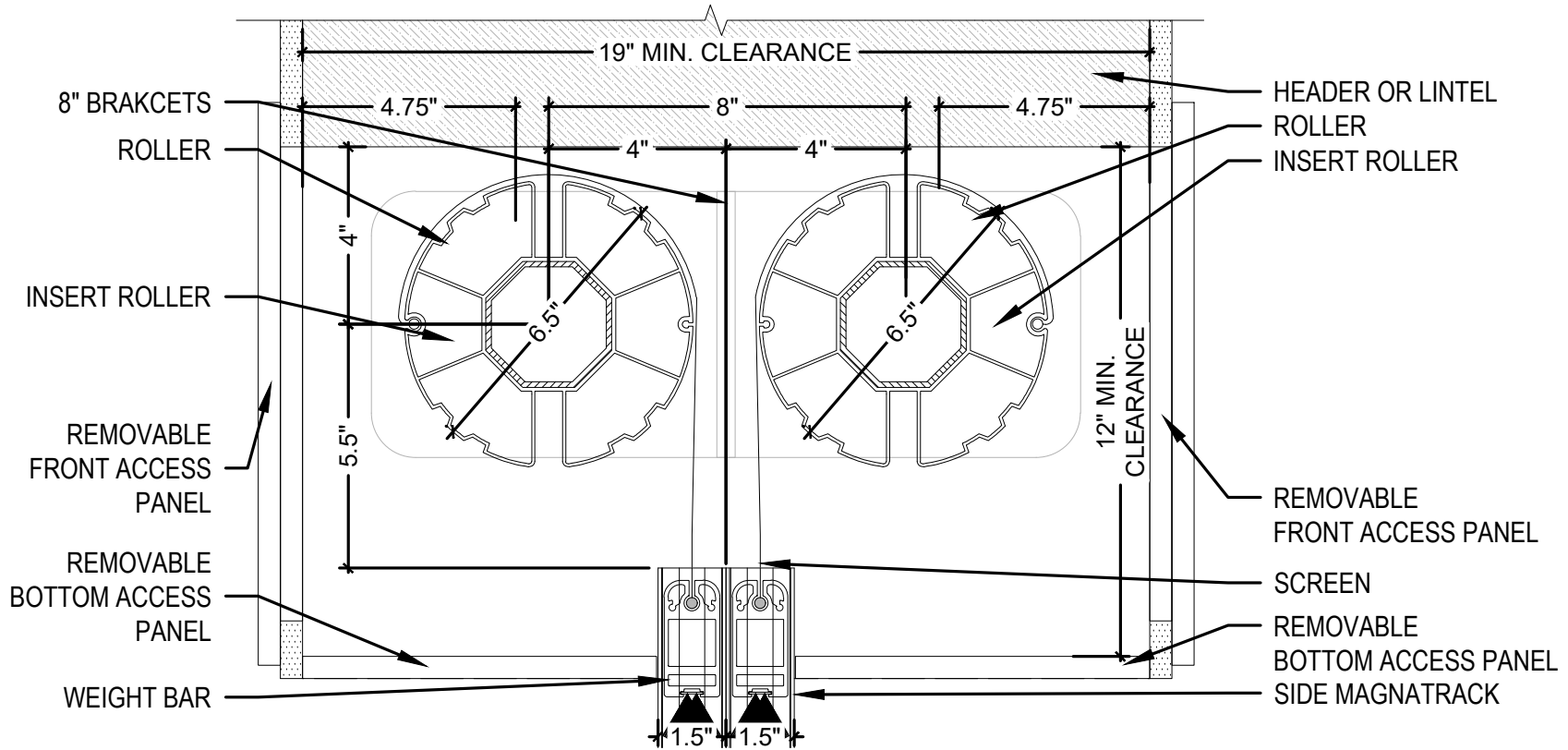


**2** ELEVATION  
 SCALE: 1/2" = 1'-0"

Date: 02.25.22  
 Drawn by: AGL

WHILE EVERY ATTEMPT HAS BEEN MADE IN THE PREPARATION OF THESE DRAWINGS TO AVOID MISTAKE, THE DESIGNER CANNOT GUARANTEE AGAINST HUMAN ERROR. PRIOR TO THE COMMENCEMENT OF ANY WORK, CONTRACTOR/OWNER MUST VERIFY ALL CONDITIONS AND DIMENSIONS AT JOB SITE. THE CONTRACTOR/OWNER SHALL REPORT ALL DISCREPANCIES BETWEEN DRAWINGS AND EXISTING CONDITIONS TO THE DESIGNER PRIOR TO COMMENCING WORK.

NOTE: FOR 300"- 360" WIDE, AND/OR OVER 192" TALL  
 HURRICANE: FOR 276" - 360" WIDE, AND/OR OVER 176" TALL



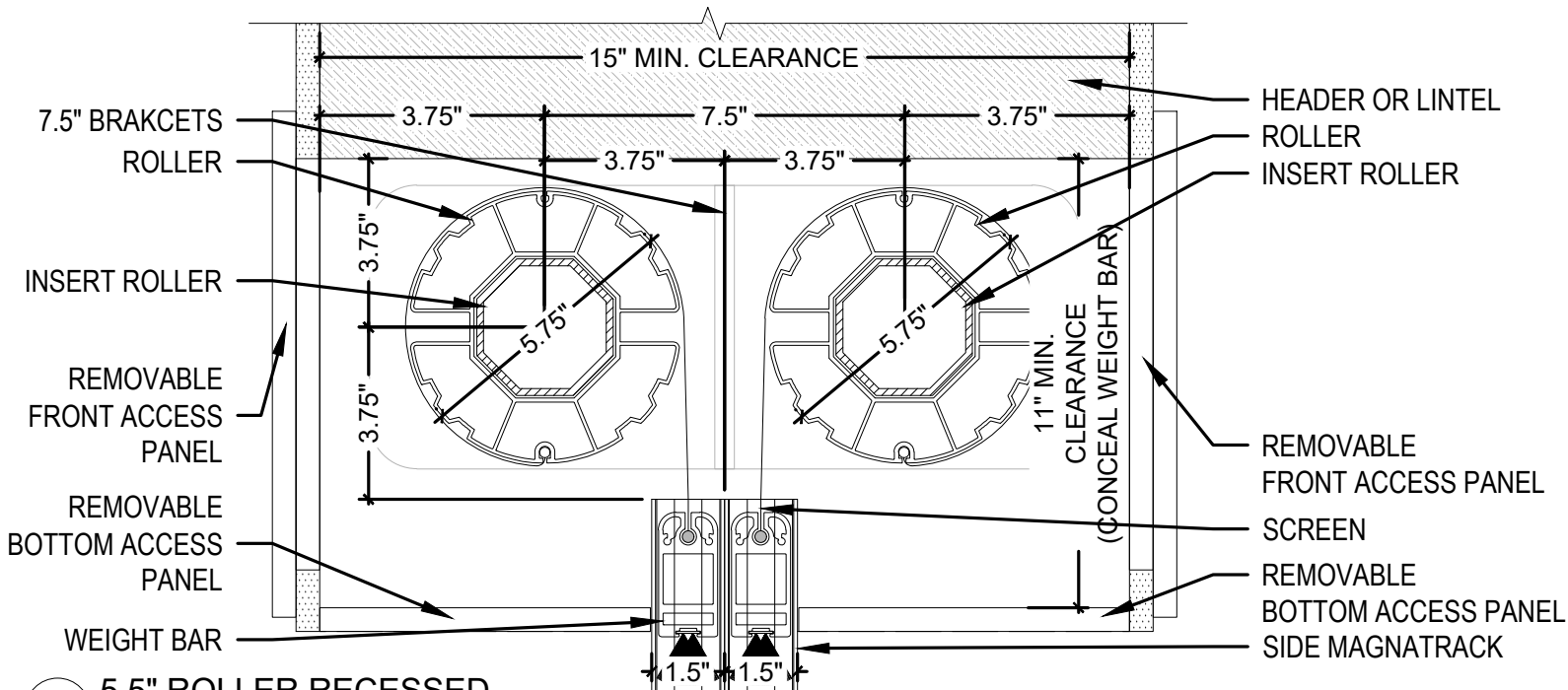
1 6.5" ROLLER RECESSED  
 SCALE: 3" = 1'-0"

Date: 02.25.22

Drawn by: AGL

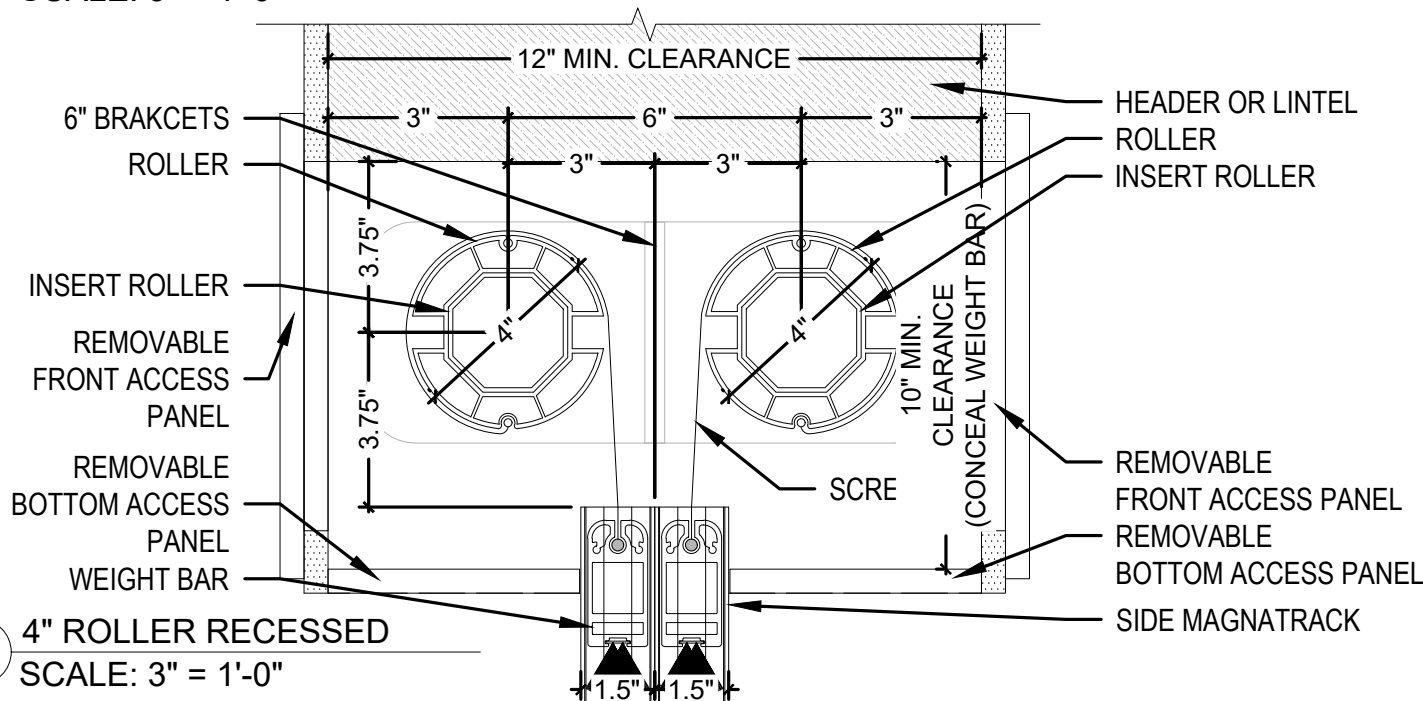
WHILE EVERY ATTEMPT HAS BEEN MADE IN THE PREPARATION OF THESE DRAWINGS TO AVOID MISTAKE, THE DESIGNER CANNOT GUARANTEE AGAINST HUMAN ERROR. PRIOR TO THE COMMENCEMENT OF ANY WORK, CONTRACTOR/OWNER MUST VERIFY ALL CONDITIONS AND DIMENSIONS AT JOB SITE. THE CONTRACTOR/OWNER SHALL REPORT ALL DISCREPANCIES BETWEEN DRAWINGS AND EXISTING CONDITIONS TO THE DESIGNER PRIOR TO COMMENCING WORK.





NOTE: FOR 240" - 300" WIDE,  
AND/OR 132" - 192" TALL  
HURRICANE: FOR 216" - 276"  
WIDE, AND/OR 120" - 176" TALL

1 5.5" ROLLER RECESSED  
SCALE: 3" = 1'-0"



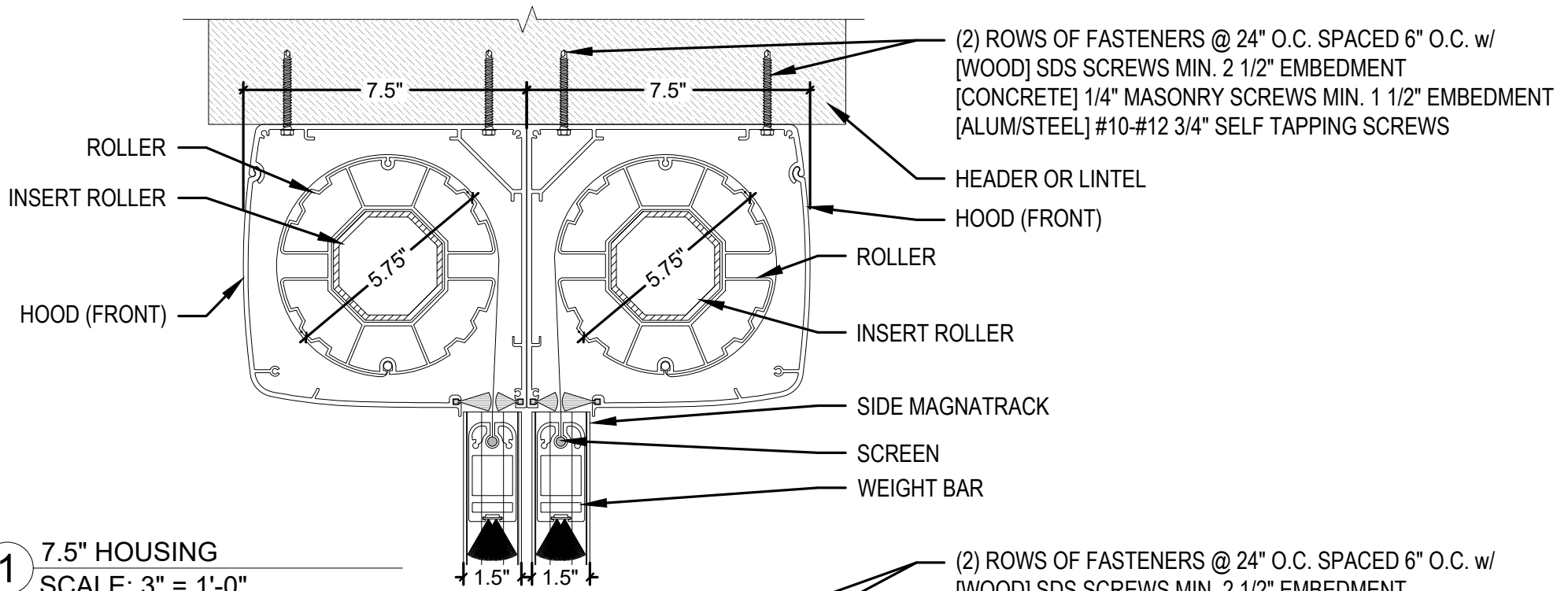
NOTE: FOR 36" - 240" WIDE,  
UP TO 132" TALL  
HURRICANE: FOR 36" - 216" WIDE,  
UP TO 120" TALL

2 4" ROLLER RECESSED  
SCALE: 3" = 1'-0"

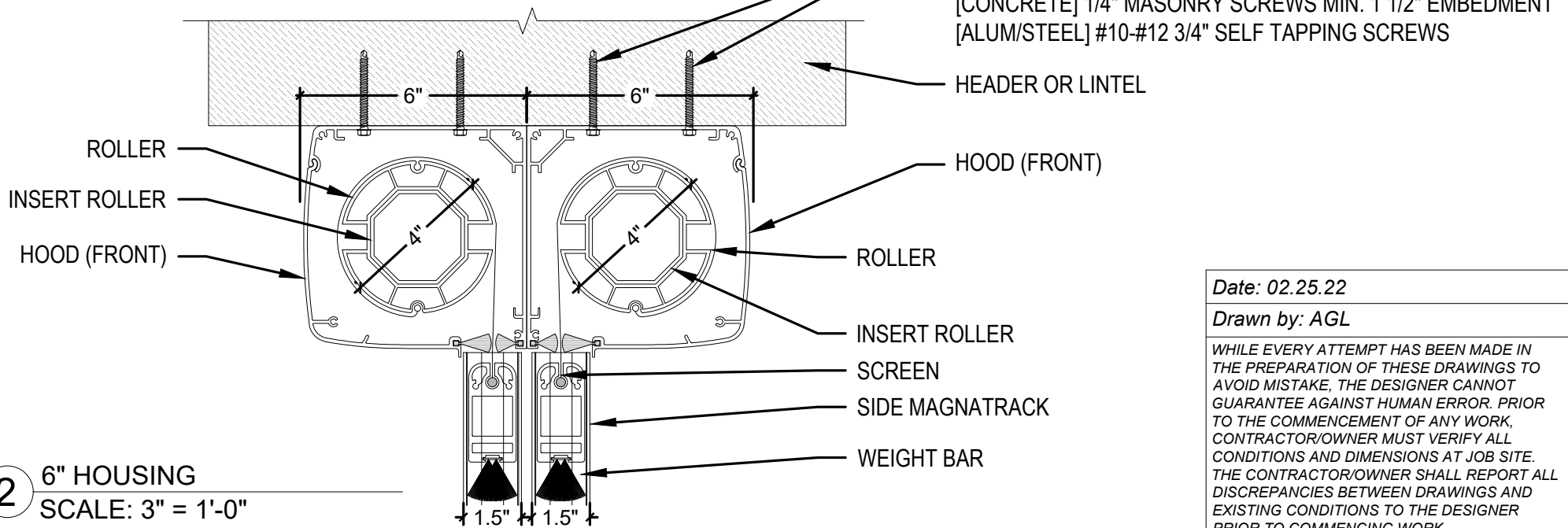
Date: 02.25.22

Drawn by: AGL

WHILE EVERY ATTEMPT HAS BEEN MADE IN THE PREPARATION OF THESE DRAWINGS TO AVOID MISTAKE, THE DESIGNER CANNOT GUARANTEE AGAINST HUMAN ERROR. PRIOR TO THE COMMENCEMENT OF ANY WORK, CONTRACTOR/OWNER MUST VERIFY ALL CONDITIONS AND DIMENSIONS AT JOB SITE. THE CONTRACTOR/OWNER SHALL REPORT ALL DISCREPANCIES BETWEEN DRAWINGS AND EXISTING CONDITIONS TO THE DESIGNER PRIOR TO COMMENCING WORK.

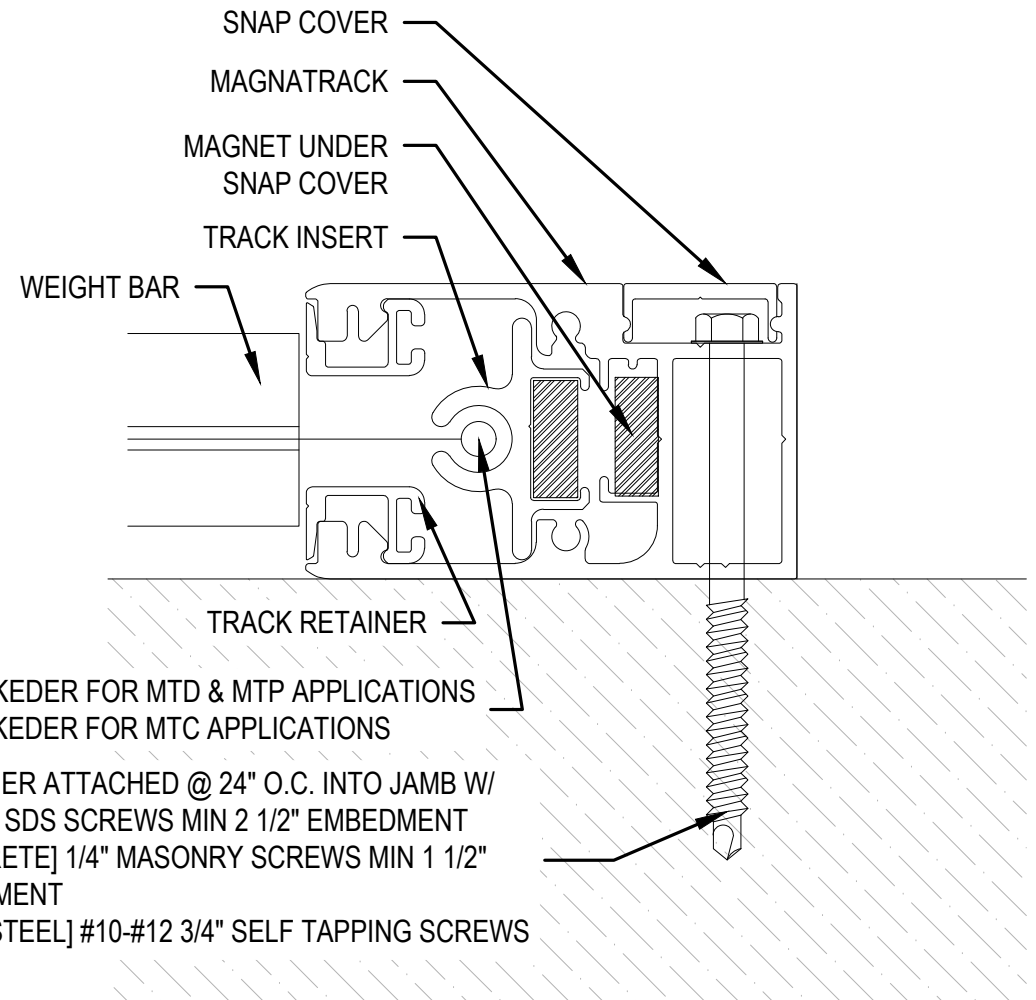
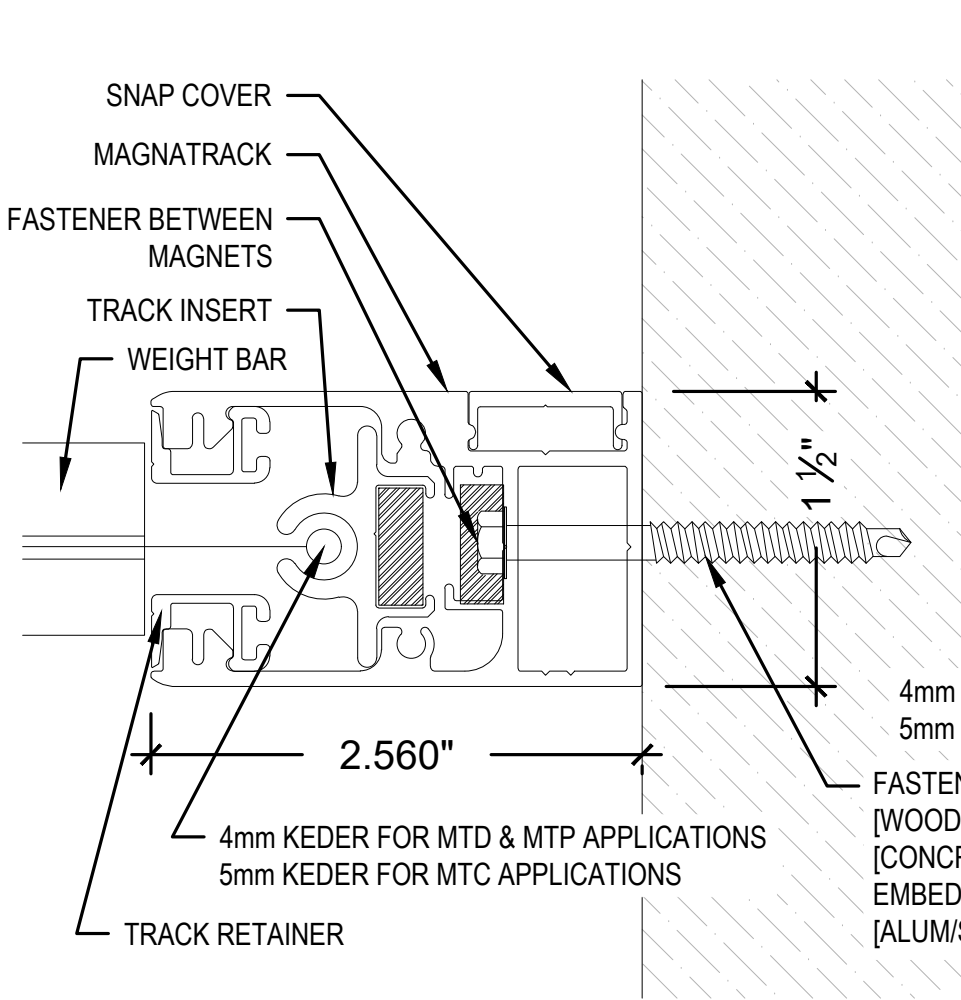


1 7.5" HOUSING  
SCALE: 3" = 1'-0"



2 6" HOUSING  
SCALE: 3" = 1'-0"

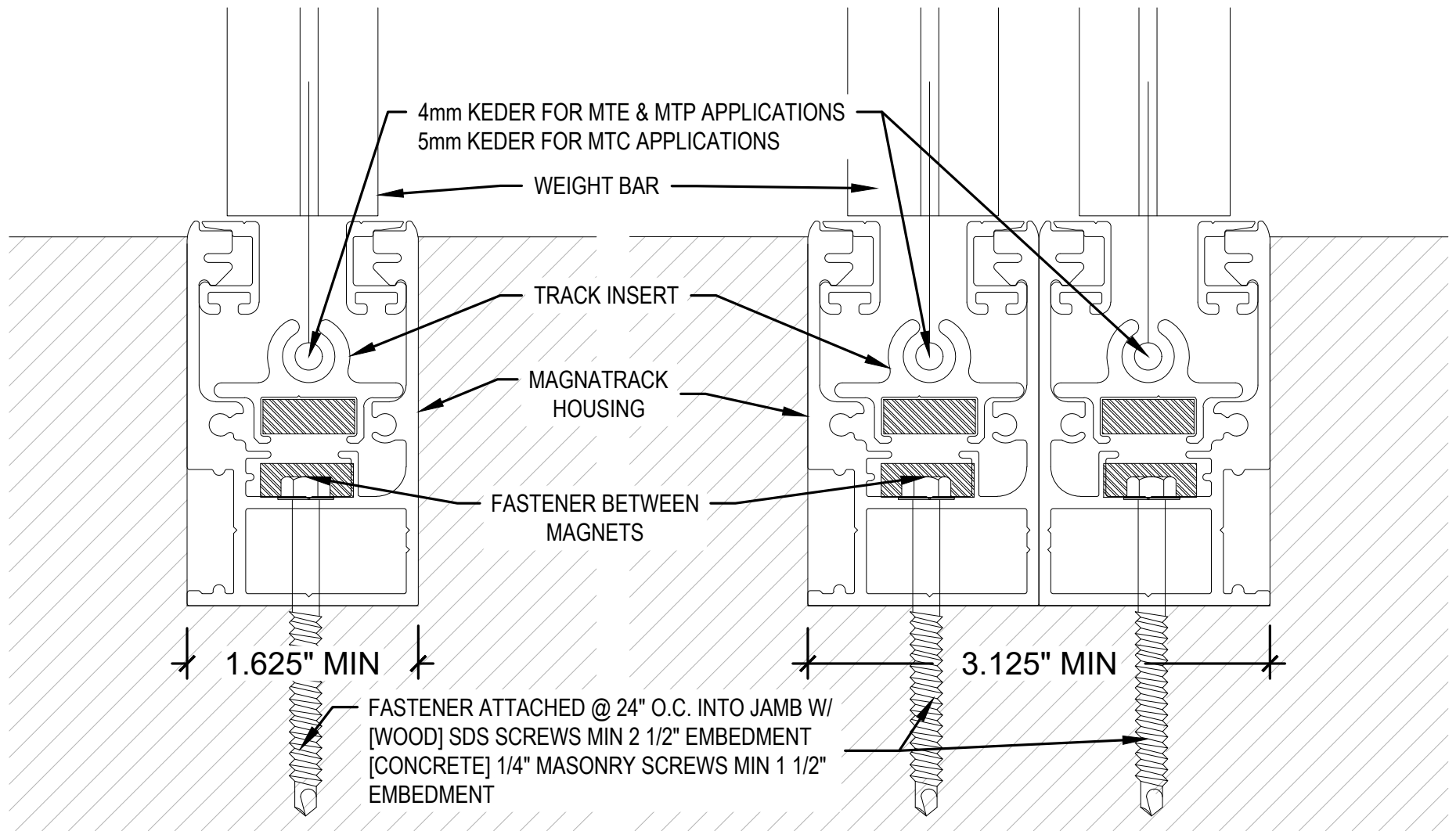
Date: 02.25.22  
 Drawn by: AGL  
 WHILE EVERY ATTEMPT HAS BEEN MADE IN THE PREPARATION OF THESE DRAWINGS TO AVOID MISTAKE, THE DESIGNER CANNOT GUARANTEE AGAINST HUMAN ERROR. PRIOR TO THE COMMENCEMENT OF ANY WORK, CONTRACTOR/OWNER MUST VERIFY ALL CONDITIONS AND DIMENSIONS AT JOB SITE. THE CONTRACTOR/OWNER SHALL REPORT ALL DISCREPANCIES BETWEEN DRAWINGS AND EXISTING CONDITIONS TO THE DESIGNER PRIOR TO COMMENCING WORK.



① SIDE TRACK (IUH)  
SCALE: 12" = 1'-0"

② SIDE TRACK (OAH)  
SCALE: 12" = 1'-0"

Date: 02.25.22  
 Drawn by: AGL  
 WHILE EVERY ATTEMPT HAS BEEN MADE IN THE PREPARATION OF THESE DRAWINGS TO AVOID MISTAKE, THE DESIGNER CANNOT GUARANTEE AGAINST HUMAN ERROR. PRIOR TO THE COMMENCEMENT OF ANY WORK, CONTRACTOR/OWNER MUST VERIFY ALL CONDITIONS AND DIMENSIONS AT JOB SITE. THE CONTRACTOR/OWNER SHALL REPORT ALL DISCREPANCIES BETWEEN DRAWINGS AND EXISTING CONDITIONS TO THE DESIGNER PRIOR TO COMMENCING WORK.



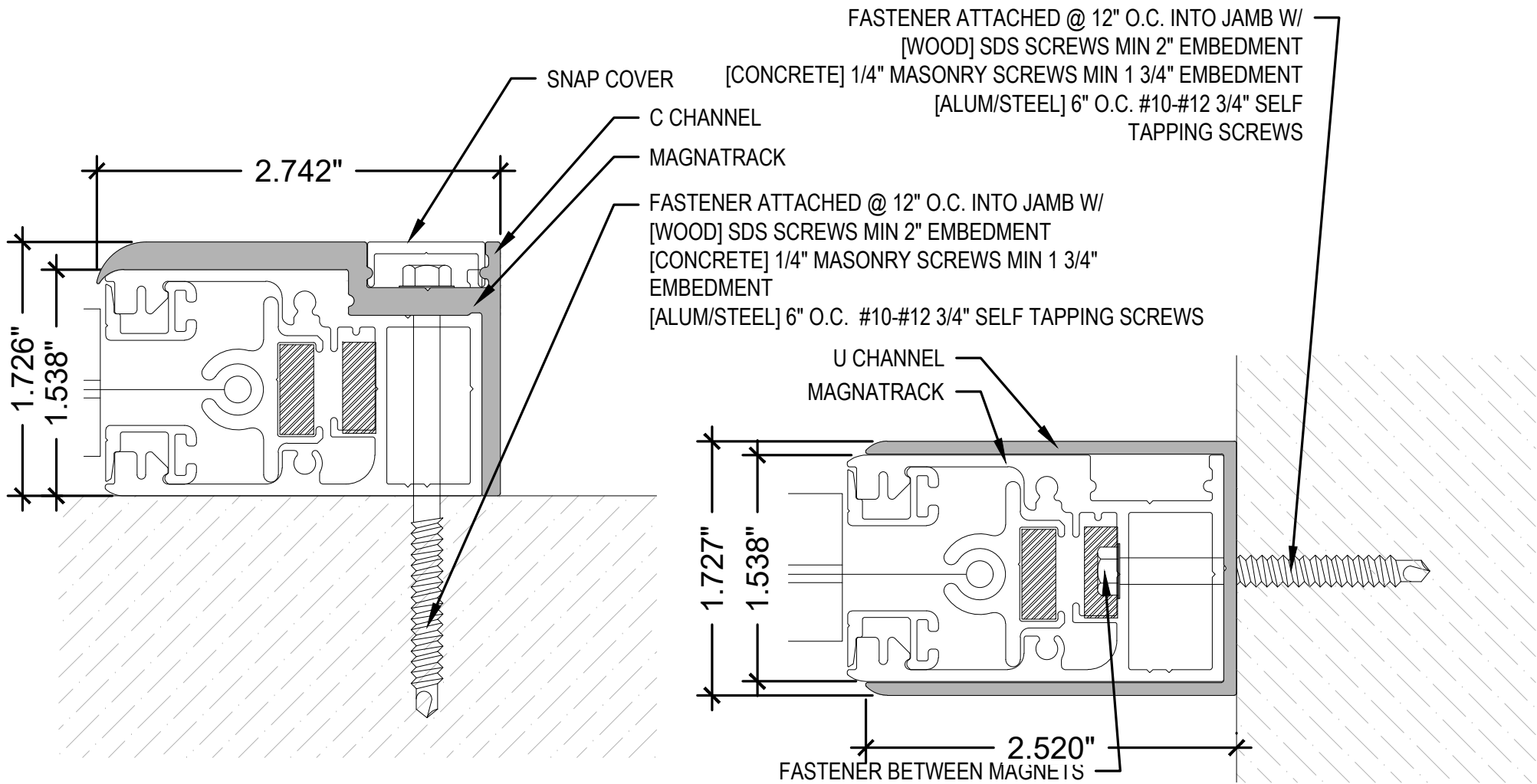
① RECESSED SINGLE TRACK  
SCALE: 12" = 1'-0"

② RECESSED DUAL TRACK  
SCALE: 12" = 1'-0"

Date: 02.25.22

Drawn by: AGL

WHILE EVERY ATTEMPT HAS BEEN MADE IN THE PREPARATION OF THESE DRAWINGS TO AVOID MISTAKE, THE DESIGNER CANNOT GUARANTEE AGAINST HUMAN ERROR. PRIOR TO THE COMMENCEMENT OF ANY WORK, CONTRACTOR/OWNER MUST VERIFY ALL CONDITIONS AND DIMENSIONS AT JOB SITE. THE CONTRACTOR/OWNER SHALL REPORT ALL DISCREPANCIES BETWEEN DRAWINGS AND EXISTING CONDITIONS TO THE DESIGNER PRIOR TO COMMENCING WORK.

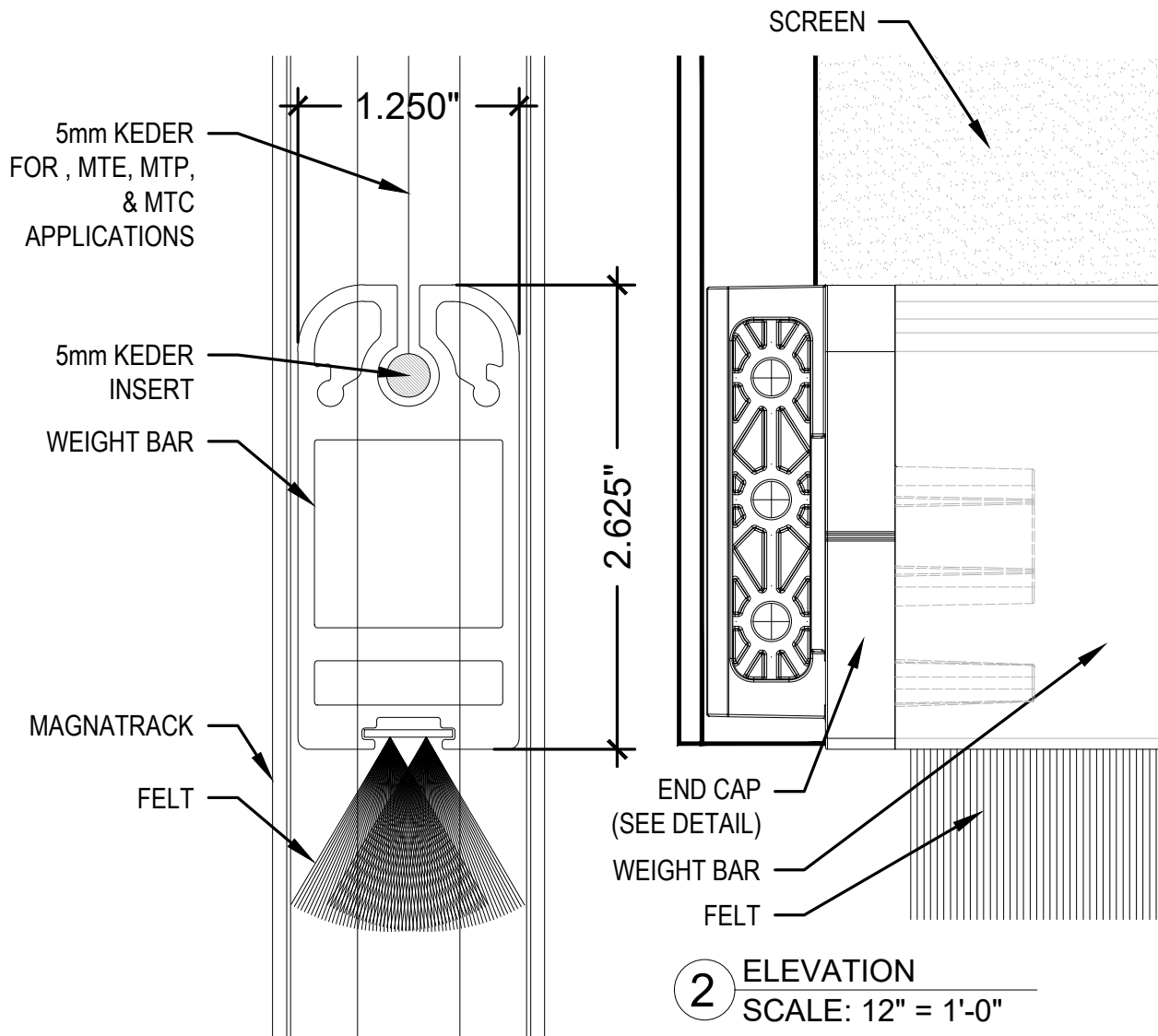


1 SIDE MOUNT - C CHANNEL  
 SCALE: 12" = 1'-0"

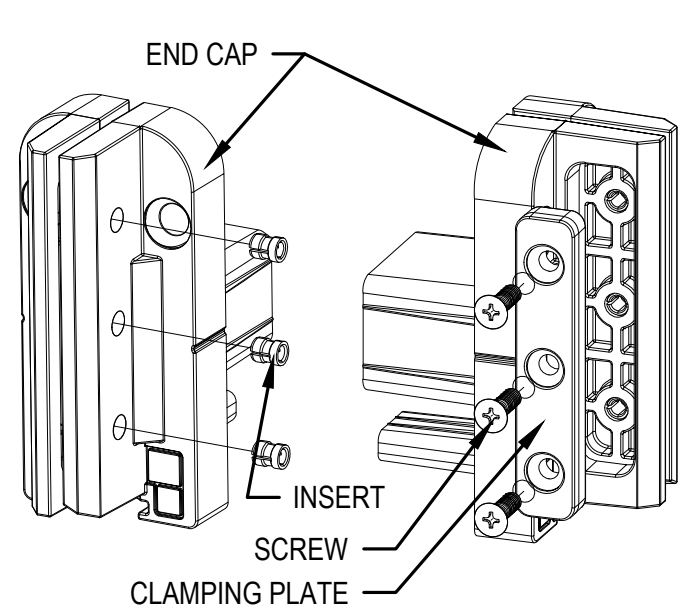
2 U CHANNEL  
 SCALE: 12" = 1'-0"

Date: 02.25.22  
 Drawn by: AGL

WHILE EVERY ATTEMPT HAS BEEN MADE IN THE PREPARATION OF THESE DRAWINGS TO AVOID MISTAKE, THE DESIGNER CANNOT GUARANTEE AGAINST HUMAN ERROR. PRIOR TO THE COMMENCEMENT OF ANY WORK, CONTRACTOR/OWNER MUST VERIFY ALL CONDITIONS AND DIMENSIONS AT JOB SITE. THE CONTRACTOR/OWNER SHALL REPORT ALL DISCREPANCIES BETWEEN DRAWINGS AND EXISTING CONDITIONS TO THE DESIGNER PRIOR TO COMMENCING WORK.



**1** SECTION  
SCALE: 12" = 1'-0"



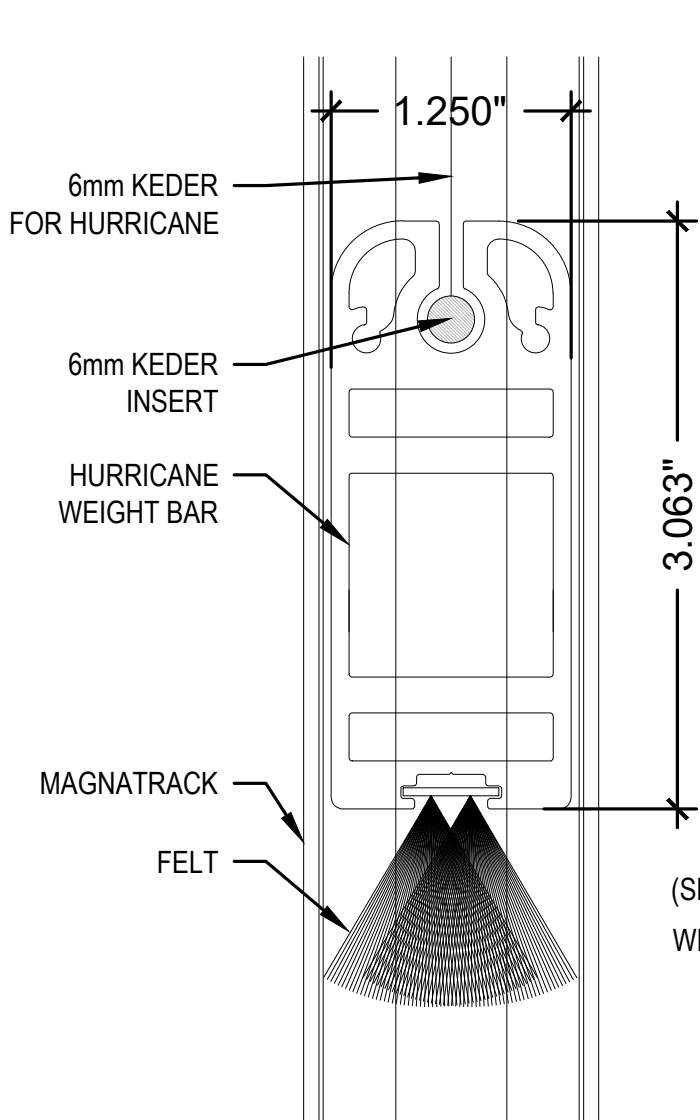
**3** ISO DETAIL  
SCALE: NTS

**2** ELEVATION  
SCALE: 12" = 1'-0"

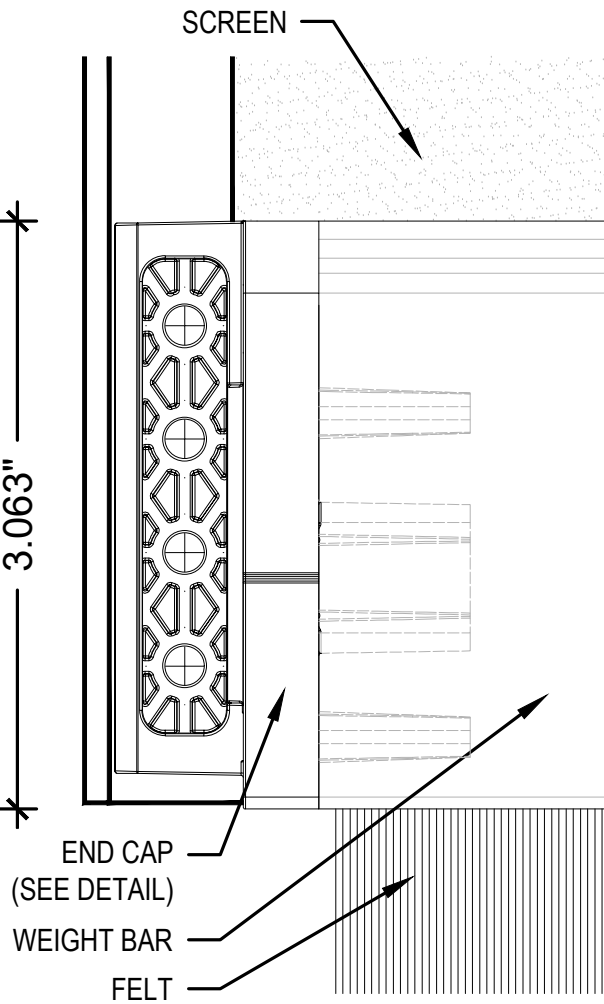
Date: 02.25.22

Drawn by: AGL

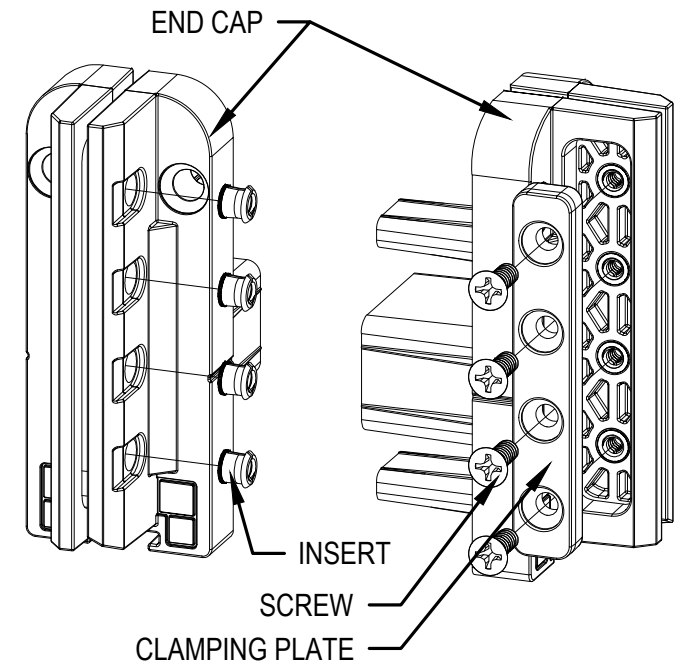
WHILE EVERY ATTEMPT HAS BEEN MADE IN THE PREPARATION OF THESE DRAWINGS TO AVOID MISTAKE, THE DESIGNER CANNOT GUARANTEE AGAINST HUMAN ERROR. PRIOR TO THE COMMENCEMENT OF ANY WORK, CONTRACTOR/OWNER MUST VERIFY ALL CONDITIONS AND DIMENSIONS AT JOB SITE. THE CONTRACTOR/OWNER SHALL REPORT ALL DISCREPANCIES BETWEEN DRAWINGS AND EXISTING CONDITIONS TO THE DESIGNER PRIOR TO COMMENCING WORK.



**1** SECTION  
SCALE: 12" = 1'-0"



**2** ELEVATION  
SCALE: 12" = 1'-0"

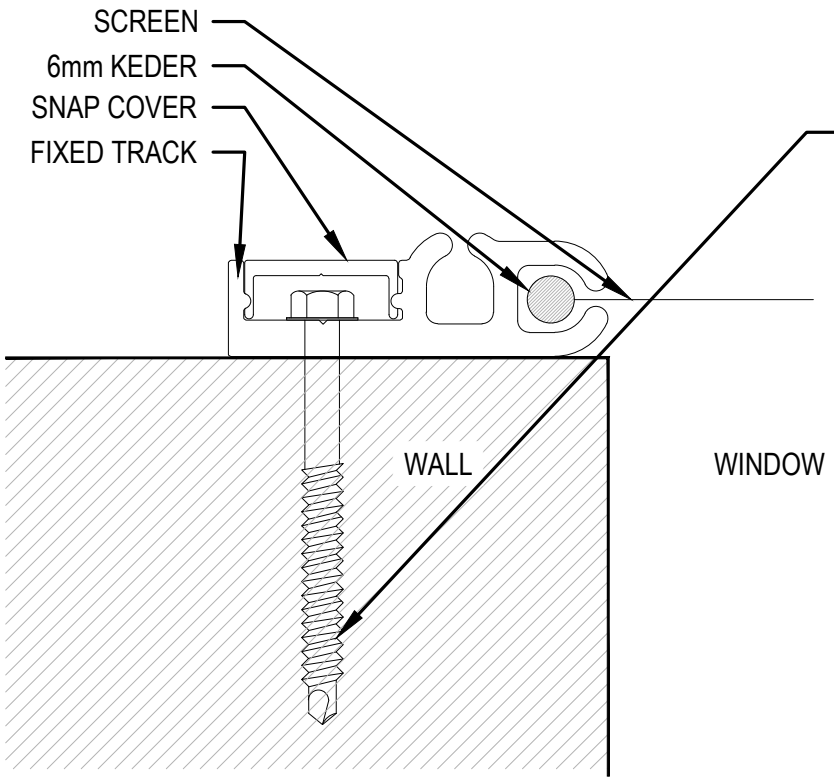


**3** ISO DETAIL  
SCALE: NTS

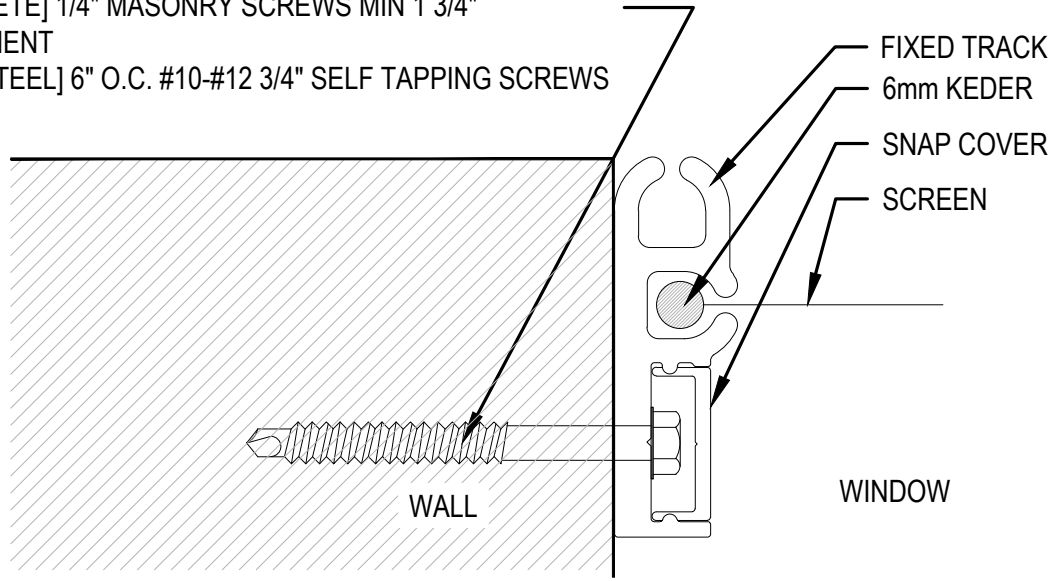
Date: 02.25.22

Drawn by: AGL

WHILE EVERY ATTEMPT HAS BEEN MADE IN THE PREPARATION OF THESE DRAWINGS TO AVOID MISTAKE, THE DESIGNER CANNOT GUARANTEE AGAINST HUMAN ERROR. PRIOR TO THE COMMENCEMENT OF ANY WORK, CONTRACTOR/OWNER MUST VERIFY ALL CONDITIONS AND DIMENSIONS AT JOB SITE. THE CONTRACTOR/OWNER SHALL REPORT ALL DISCREPANCIES BETWEEN DRAWINGS AND EXISTING CONDITIONS TO THE DESIGNER PRIOR TO COMMENCING WORK.

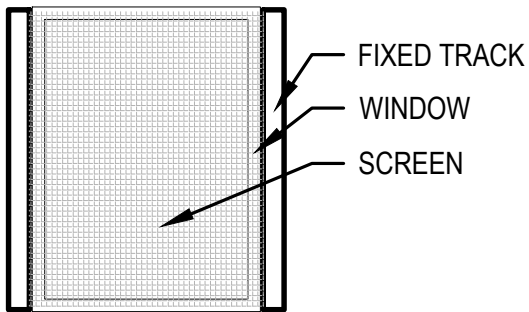


FASTENER ATTACHED @ 12" O.C. INTO JAMB W/  
 [WOOD] SDS SCREWS MIN 2" EMBEDMENT  
 [CONCRETE] 1/4" MASONRY SCREWS MIN 1 3/4"  
 EMBEDMENT  
 [ALUM/STEEL] 6" O.C. #10-#12 3/4" SELF TAPPING SCREWS

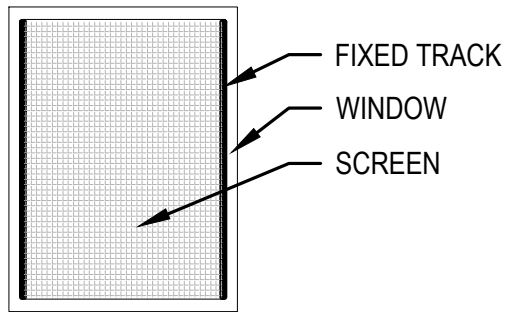


**1** SECTION - FACE MOUNT  
 SCALE: 12" = 1'-0"

**2** SECTION - INSIDE MOUNT  
 SCALE: 12" = 1'-0"



OUTSIDE MOUNT

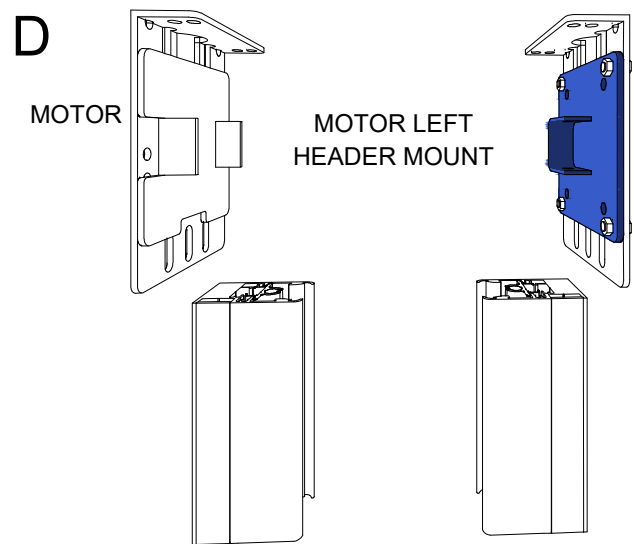
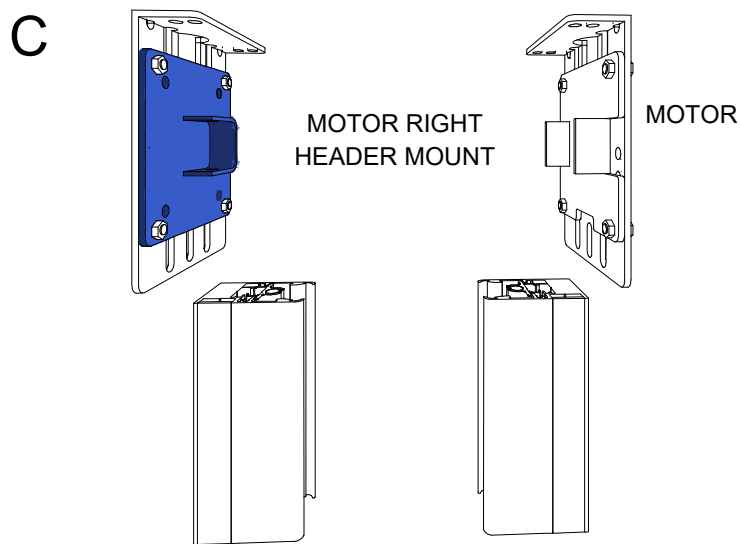
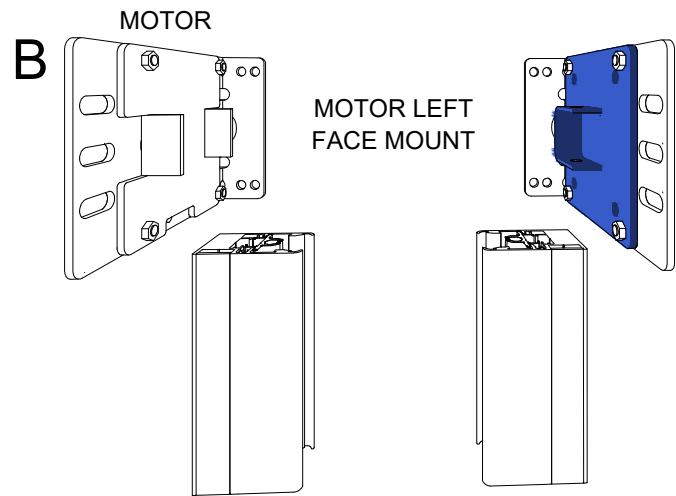
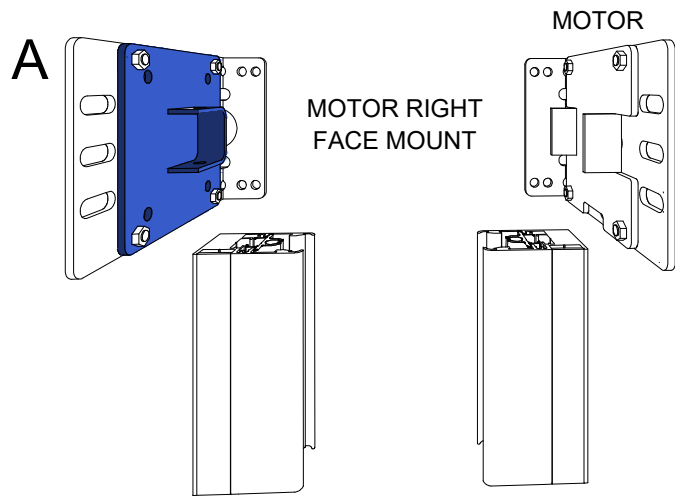


INSIDE MOUNT

**3** ELEVATIONS  
 SCALE: NTS

Date: 02.25.22  
 Drawn by: AGL  
 WHILE EVERY ATTEMPT HAS BEEN MADE IN THE PREPARATION OF THESE DRAWINGS TO AVOID MISTAKE, THE DESIGNER CANNOT GUARANTEE AGAINST HUMAN ERROR. PRIOR TO THE COMMENCEMENT OF ANY WORK, CONTRACTOR/OWNER MUST VERIFY ALL CONDITIONS AND DIMENSIONS AT JOB SITE. THE CONTRACTOR/OWNER SHALL REPORT ALL DISCREPANCIES BETWEEN DRAWINGS AND EXISTING CONDITIONS TO THE DESIGNER PRIOR TO COMMENCING WORK.





Date: 02.25.22

Drawn by: AGL

WHILE EVERY ATTEMPT HAS BEEN MADE IN THE PREPARATION OF THESE DRAWINGS TO AVOID MISTAKE, THE DESIGNER CANNOT GUARANTEE AGAINST HUMAN ERROR. PRIOR TO THE COMMENCEMENT OF ANY WORK, CONTRACTOR/OWNER MUST VERIFY ALL CONDITIONS AND DIMENSIONS AT JOB SITE. THE CONTRACTOR/OWNER SHALL REPORT ALL DISCREPANCIES BETWEEN DRAWINGS AND EXISTING CONDITIONS TO THE DESIGNER PRIOR TO COMMENCING WORK.