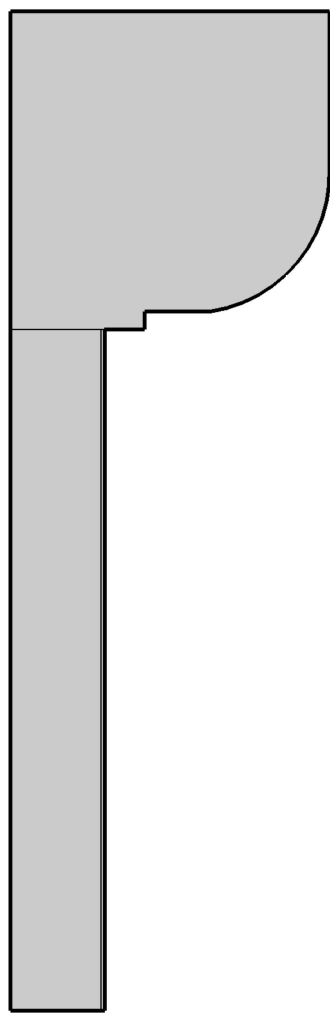
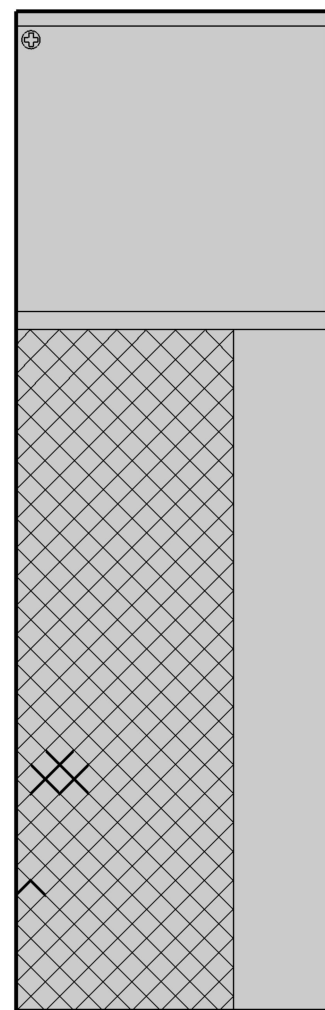




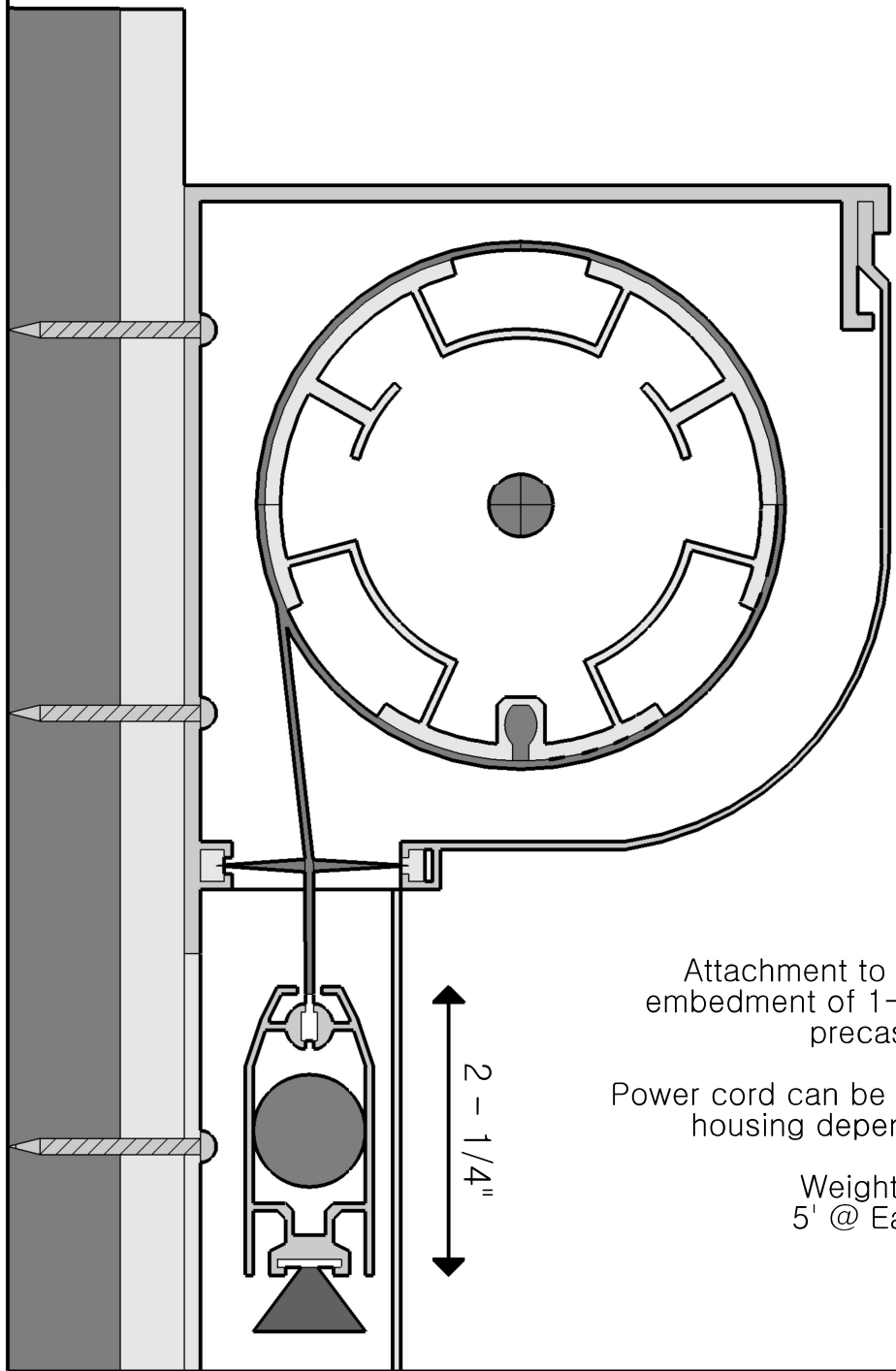
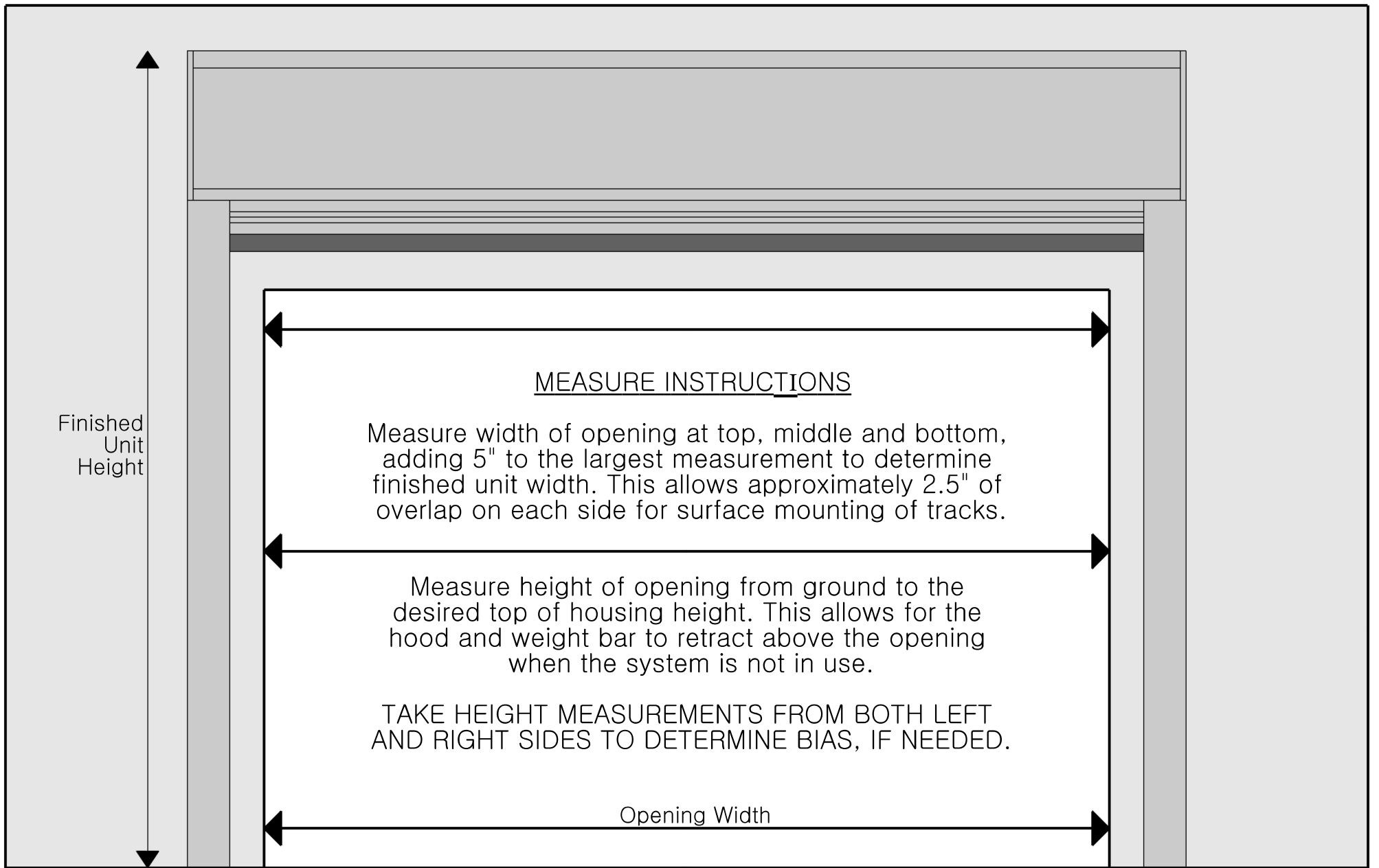
Motorized Roll Screen Products, 5-1/2" and 7" Housings
Up to 30' in Width



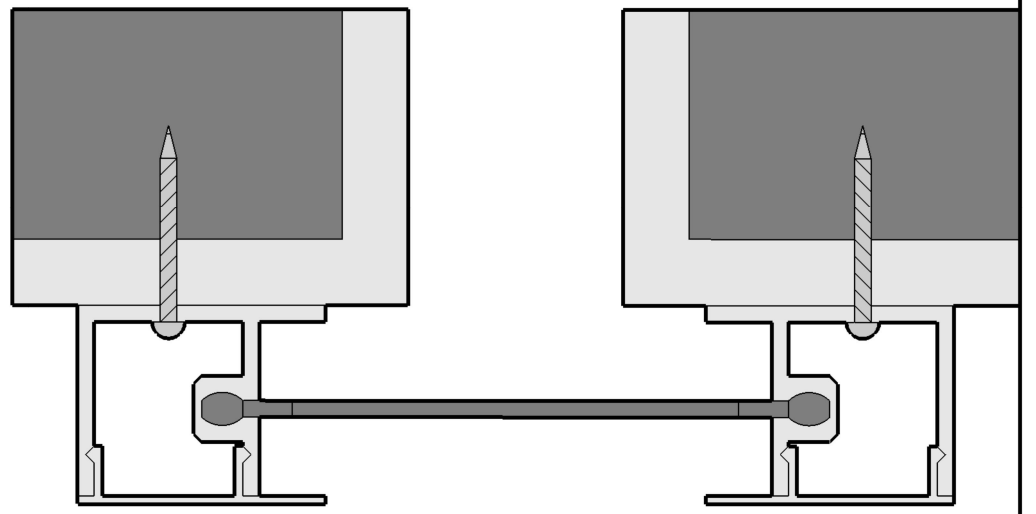
Side/Profile View



Front View



Surface Track
 Hollow w/snap cover
 Fasteners 24" OC, w/Min. Embedment 1-1/2"
 Wood 1/4" SDS or CMU 1/4" Masonry Screws

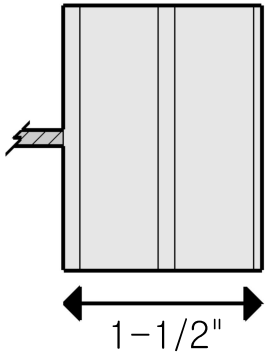


Installation Notes

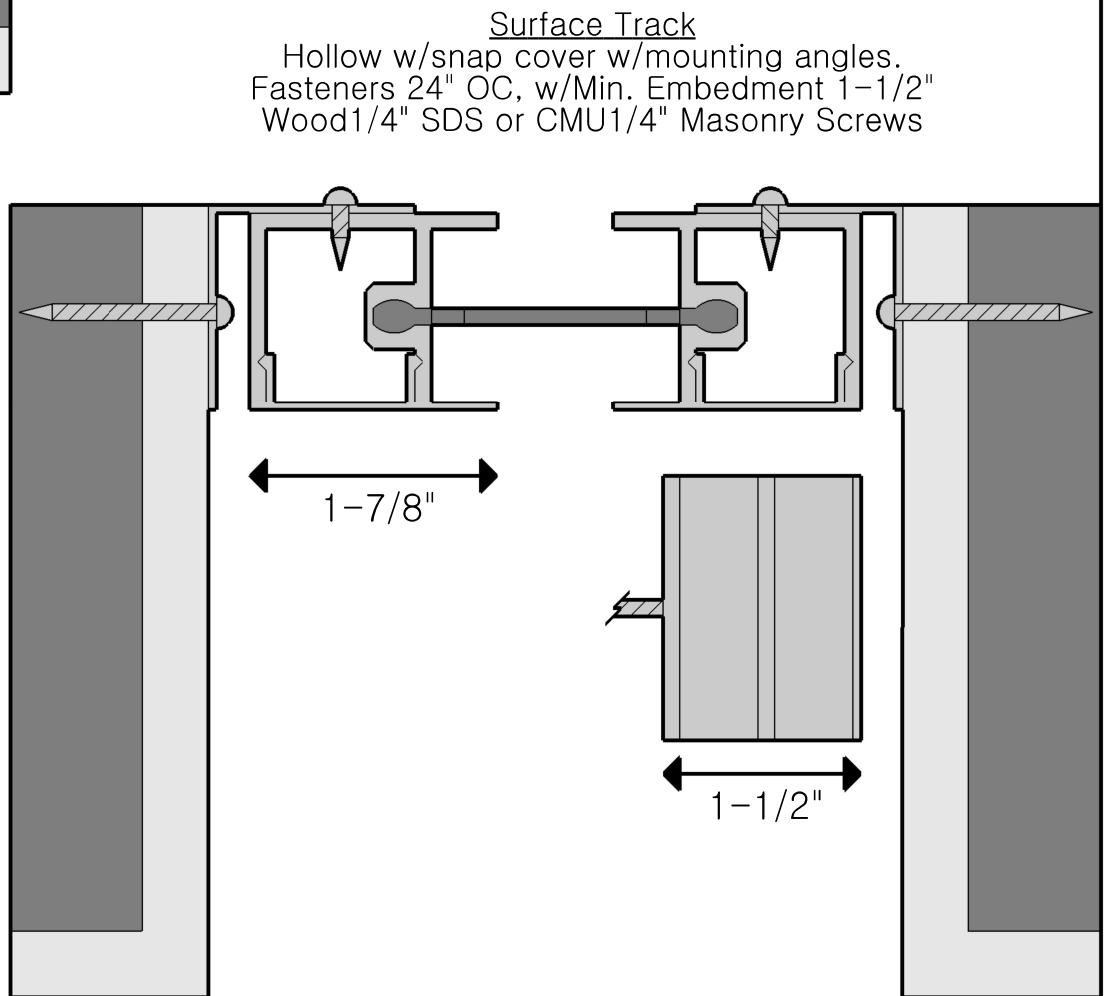
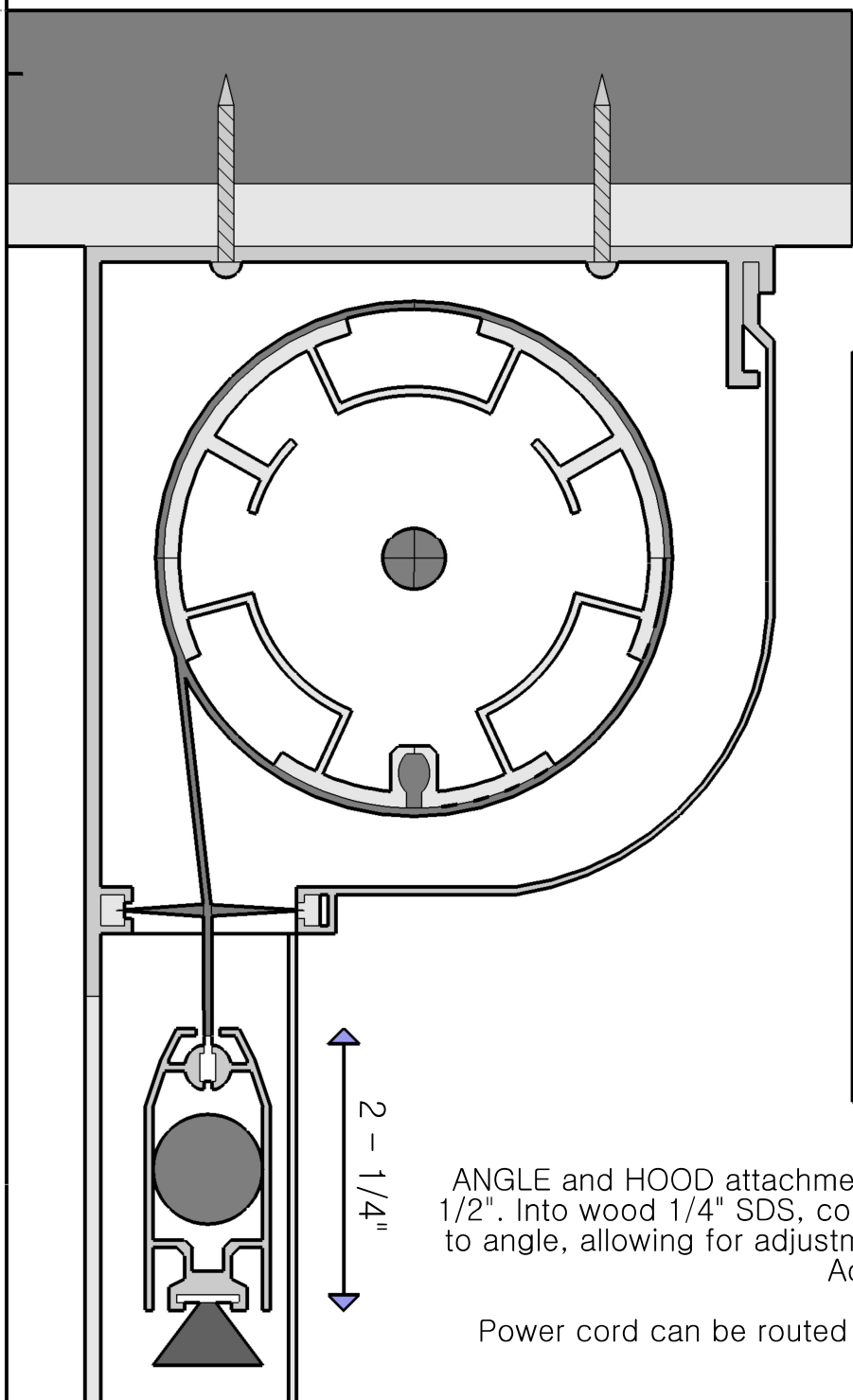
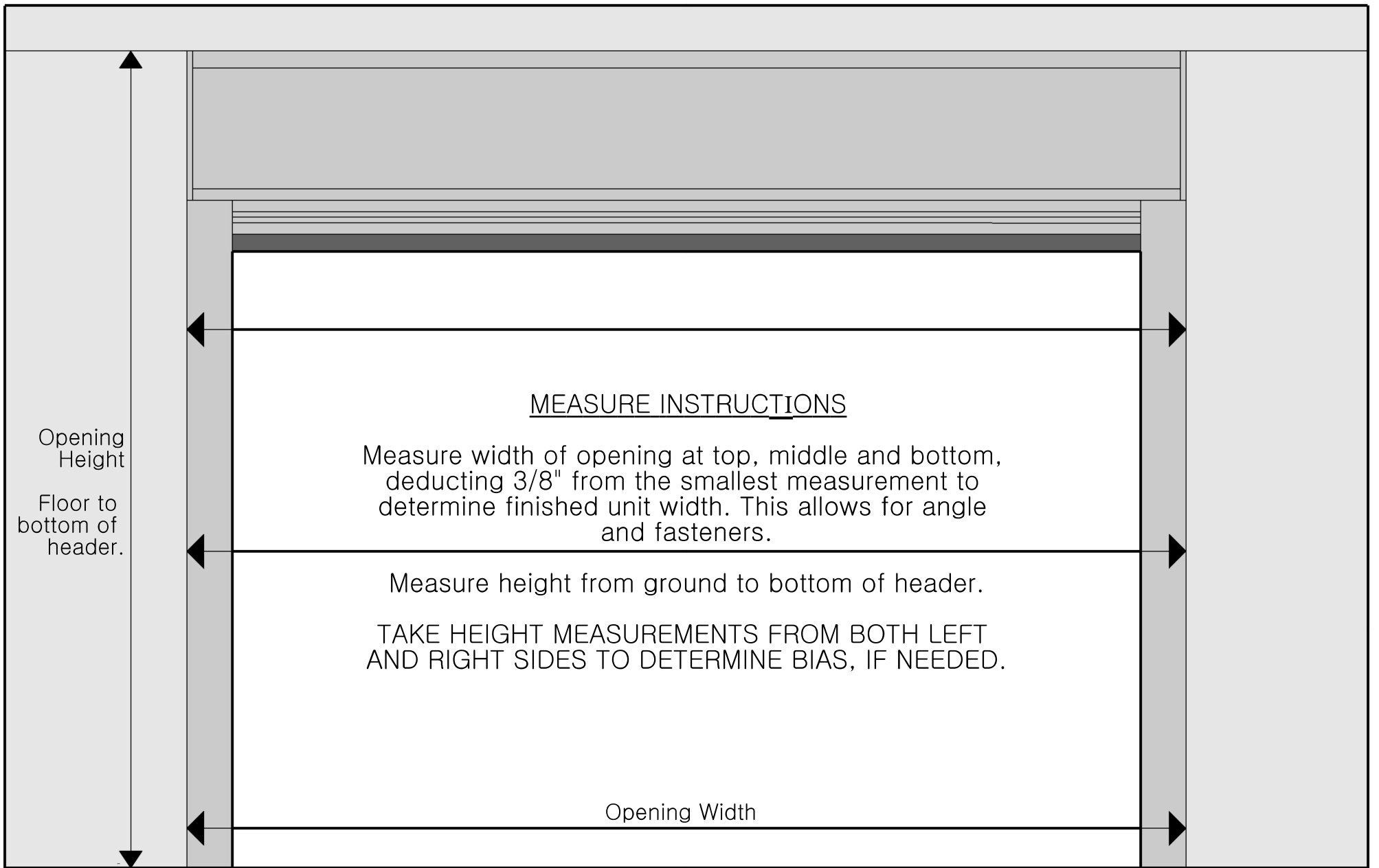
Attachment to vertical surface, recommended min. embedment of 1-1/2". Into wood 1/4" SDS, concrete or precast use 1/4" masonry screws.

Power cord can be routed through track or out of top/rear of housing depending on location of electrical outlet.

Weighted Bottom Bar w/#6 Re-Bar
 5' @ Each End for Additional Weight
 (1.5/lbs per foot)



REVISIONS		
MM/DD/YY	REMARKS	
1 12/29/2014	Original Date of Drawing	
2 --/--/--	...	
3 --/--/--	...	
4 --/--/--	...	
5 --/--/--	...	



REVISIONS		
	MM/DD/YY	REMARKS
1	12/29/2014	Original Date of Drawing
2	--/--/--	...
3	--/--/--	...
4	--/--/--	...
5	--/--/--	...