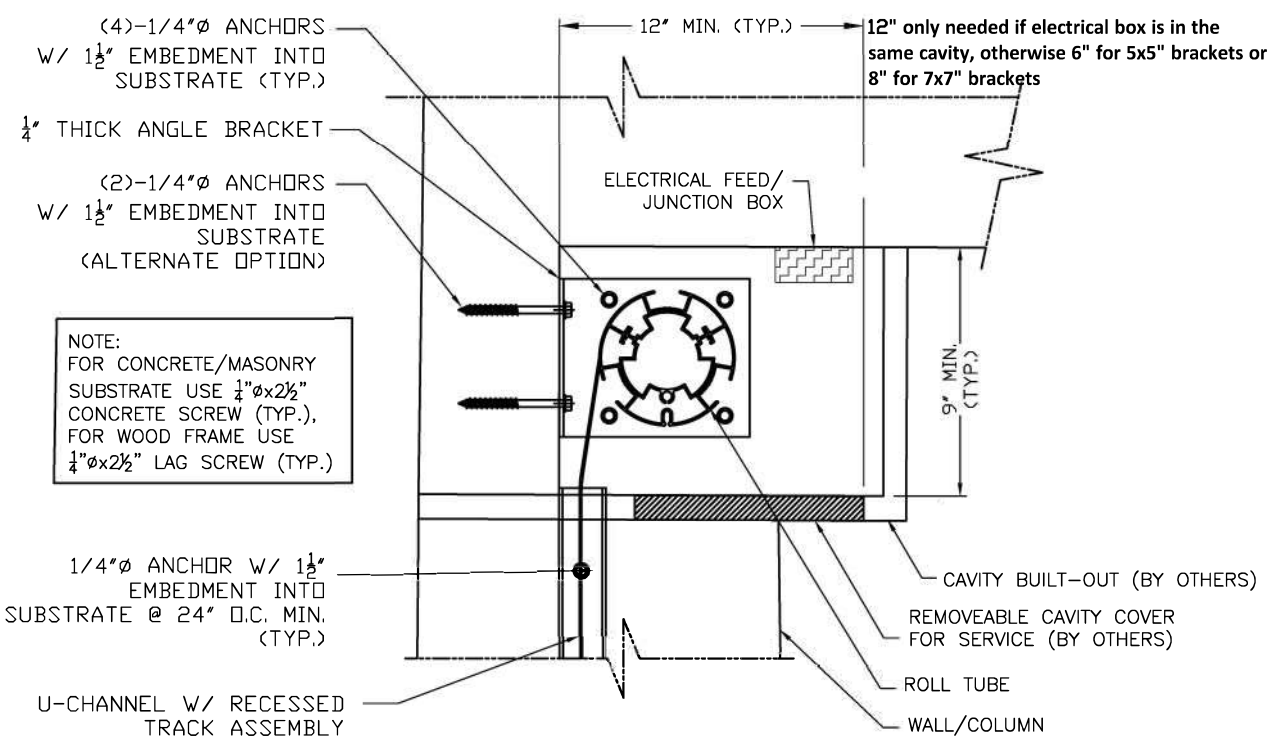
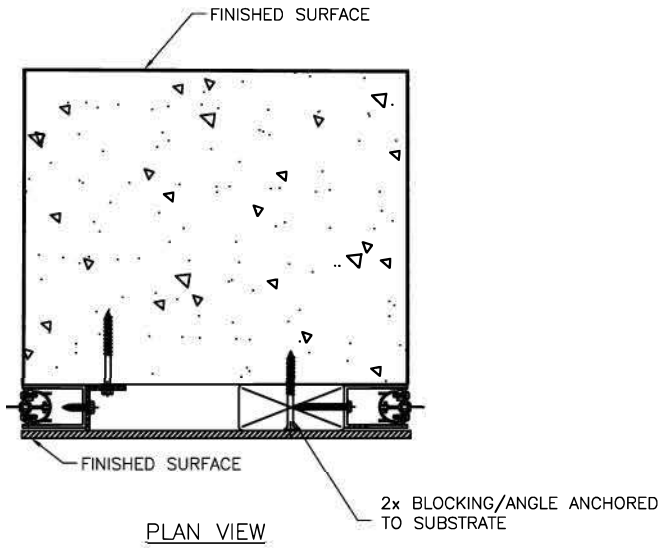


ELEVATION VIEW

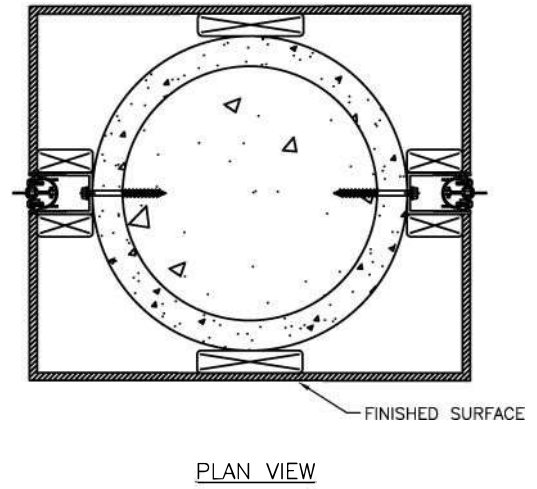


SECTION "a-a"
SECTION VIEW OF ROLL DOWN SCREEN ASSEMBLY
CONNECTION (BOTTOM ACCESS PANEL)

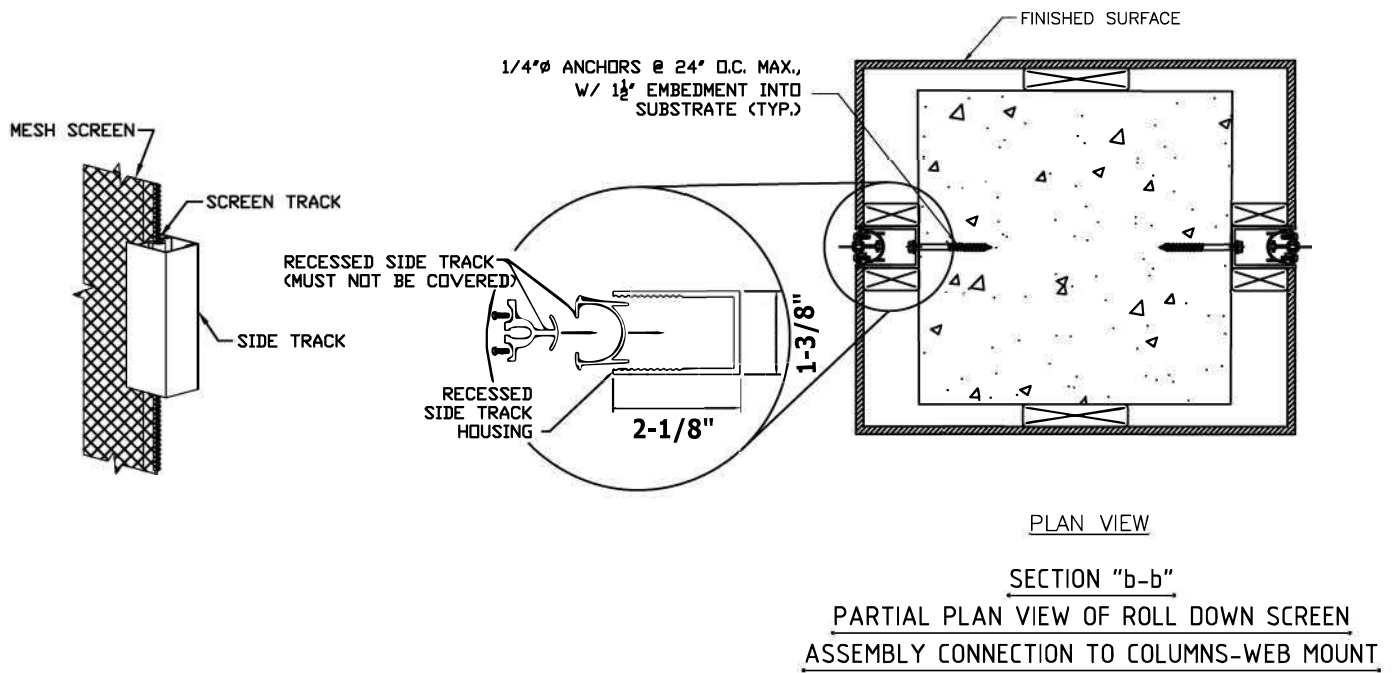
	Rev.	Revision	Date	By	DRAWN BY:	SCALE: N.T.S.	DATE: 2-25-20	A-01
						© 2019 SUNPRO MOTORIZED AWNINGS & SCREENS	RECESSED INSTALLATION	



PARTIAL PLAN VIEW OF ROLL DOWN SCREEN
ASSEMBLY CONNECTION TO COLUMNS-FLANGE MOUNT



PARTIAL PLAN VIEW OF ROLL DOWN SCREEN
ASSEMBLY CONNECTION TO COLUMNS-WEB MOUNT



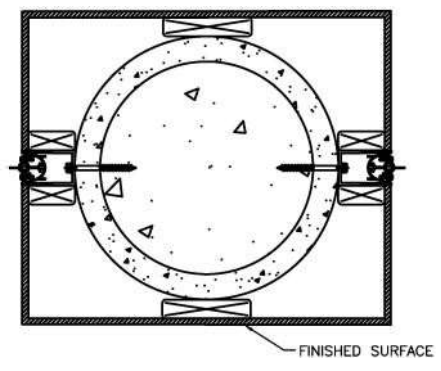
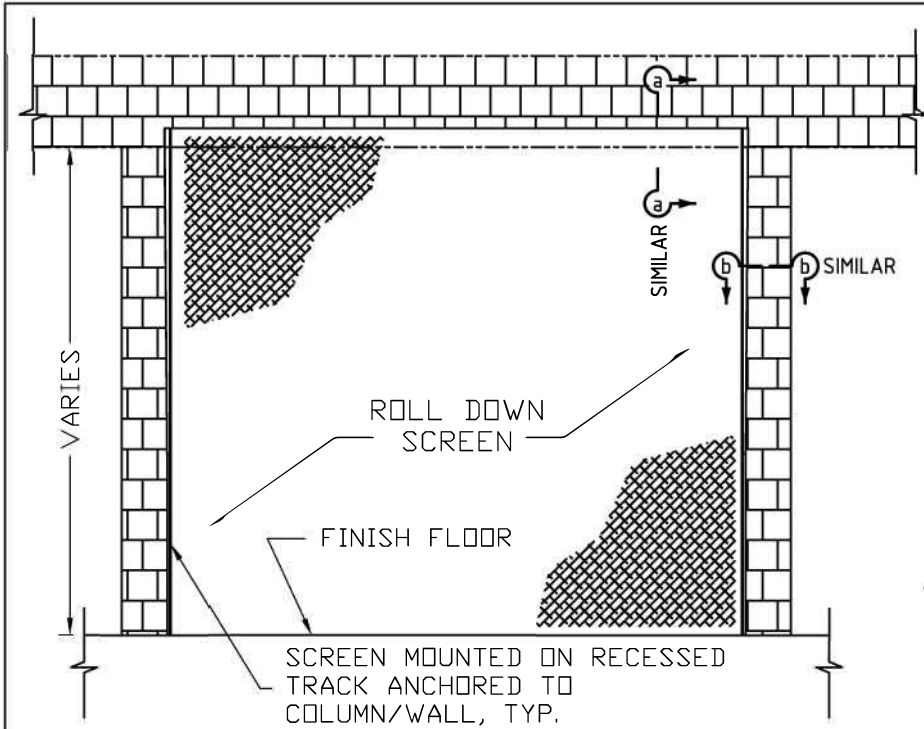
PARTIAL PLAN VIEW OF ROLL DOWN SCREEN
ASSEMBLY CONNECTION TO COLUMNS-WEB MOUNT



Rev.	Revision	Date	By

DRAWN BY:	SCALE: N.T.S.	DATE: 2-25-20
© 2019 SUNPRO MOTORIZED AWNINGS & SCREENS		RECESSED INSTALLATION

A-02

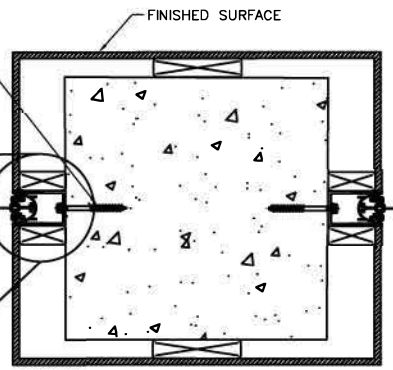
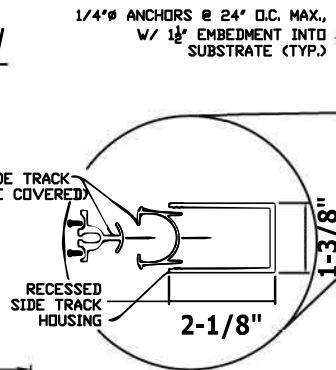
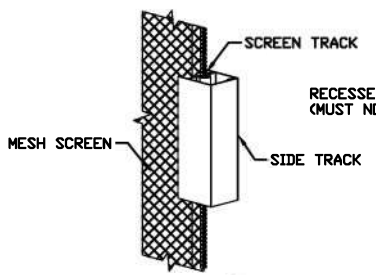


PLAN VIEW

SECTION "b-b"

PARTIAL PLAN VIEW OF ROLL DOWN SCREEN ASSEMBLY CONNECTION TO COLUMNS-WEB MOUNT

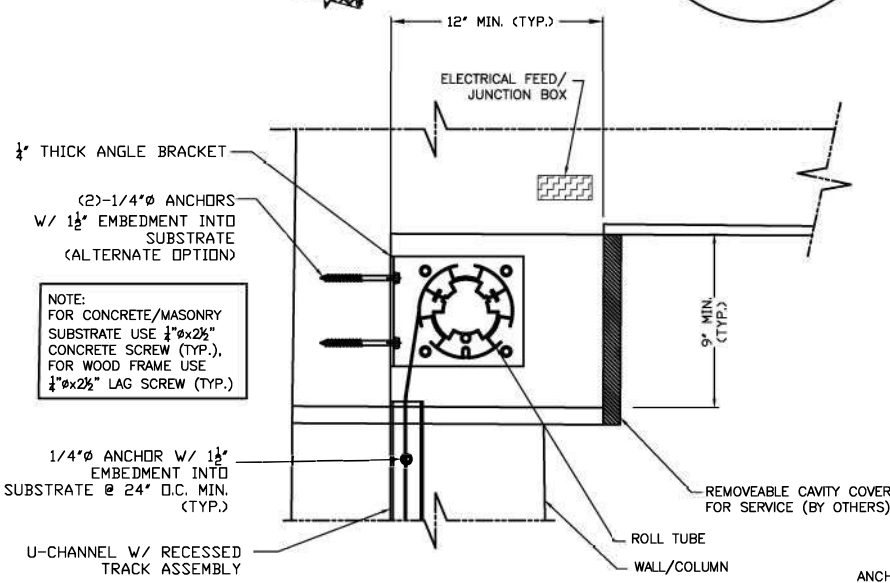
ELEVATION VIEW



PLAN VIEW

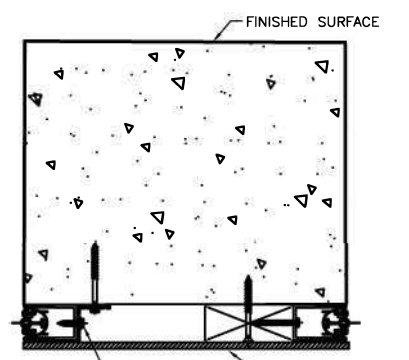
SECTION "b-b"

PARTIAL PLAN VIEW OF ROLL DOWN SCREEN ASSEMBLY CONNECTION TO COLUMNS-WEB MOUNT



SECTION "a-a"

SECTION VIEW OF ROLL DOWN SCREEN ASSEMBLY CONNECTION (SIDE ACCESS PANEL)



PLAN VIEW

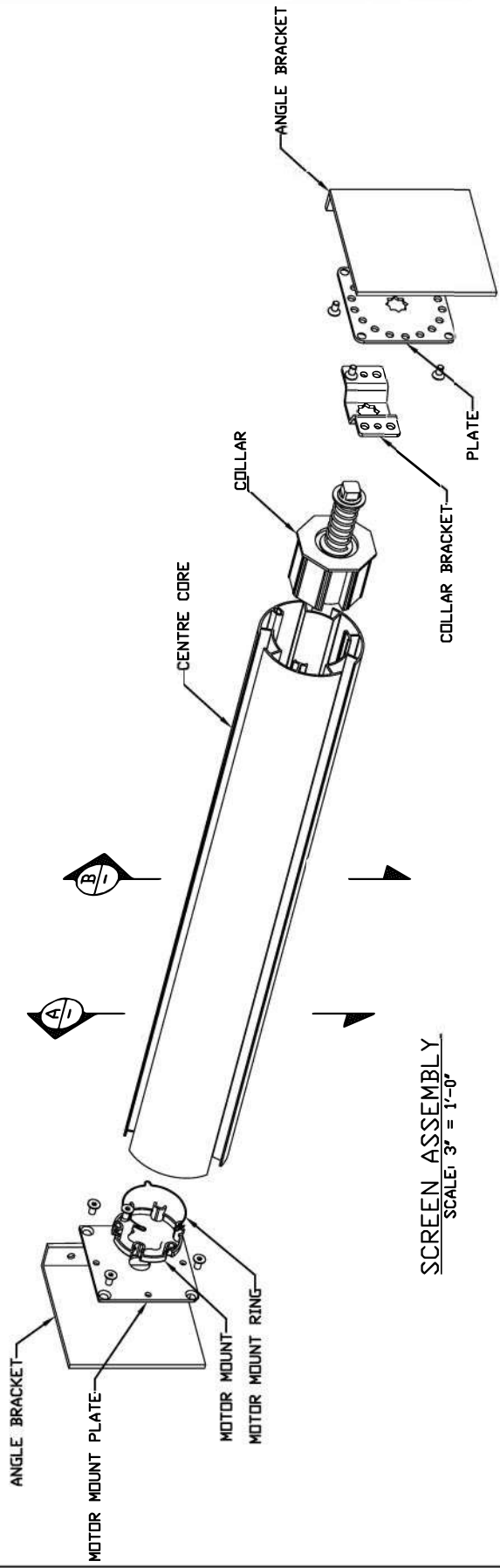
SECTION "b-b"

PARTIAL PLAN VIEW OF ROLL DOWN SCREEN ASSEMBLY CONNECTION TO COLUMNS-FLANGE MOUNT

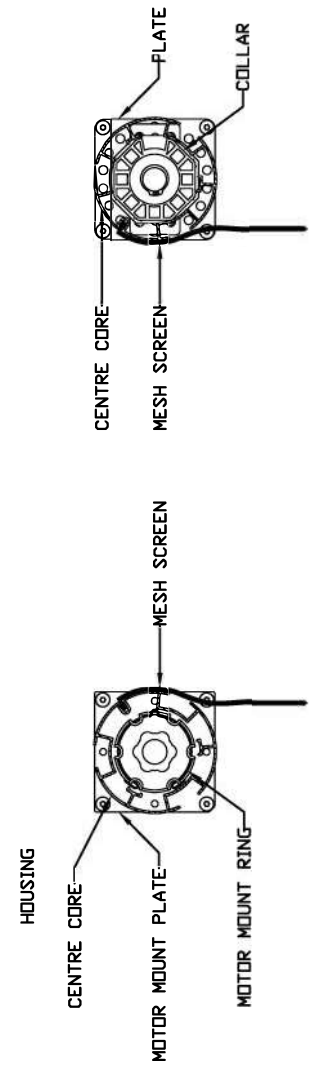
	Rev.	Revision	Date	By	DRAWN BY:	SCALE: N.T.S.	DATE: 2-25-20	A-03
					© 2019 SUNPRO MOTORIZED AWNINGS & SCREENS	RECESSED INSTALLATION		

Recessed Motorized Retractable Wall Screen Exploded Schematic View

FOR ILLUSTRATION PURPOSES ONLY - ONLY CROSS SECTIONS DRAWN TO SCALE

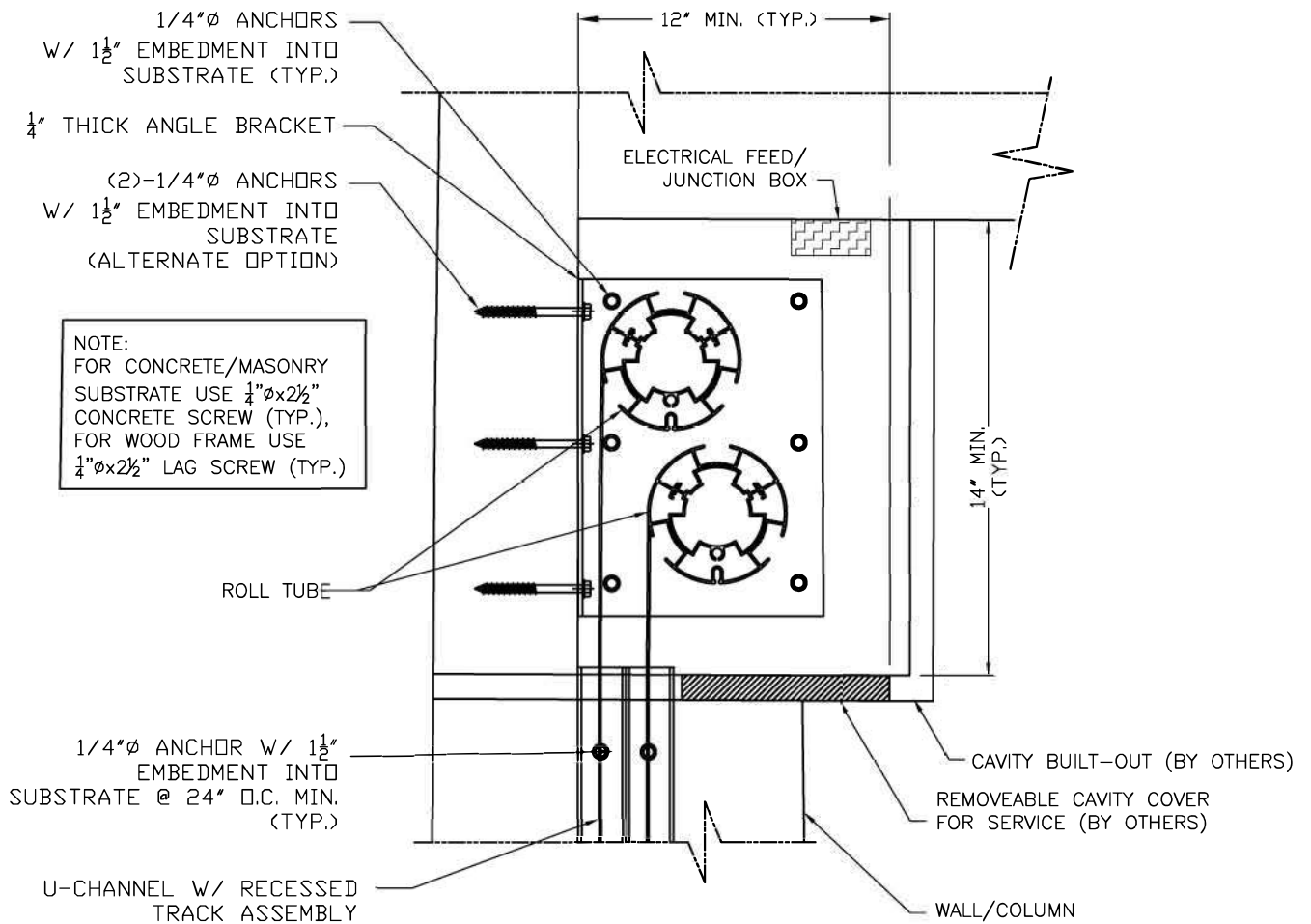


SCREEN ASSEMBLY
SCALE: 3" = 1'-0"



SECTION VIEW A
SCALE: 3" = 1'-0"

SECTION VIEW B
SCALE: 3" = 1'-0"



SECTION "a-a"
SECTION VIEW OF DUAL UNITS ROLL DOWN SCREEN
ASSEMBLY CONNECTION (BOTTOM ACCESS PANEL)

Recessed Screens Builders Guide

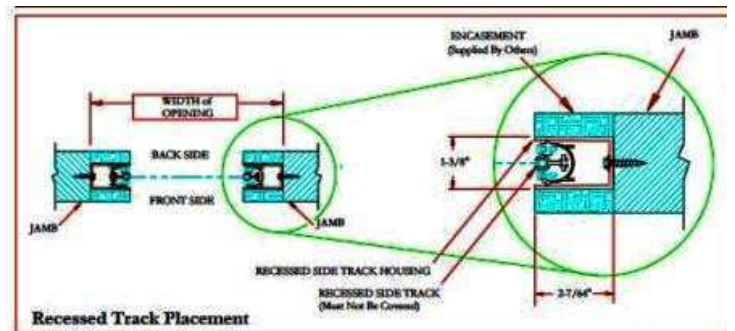
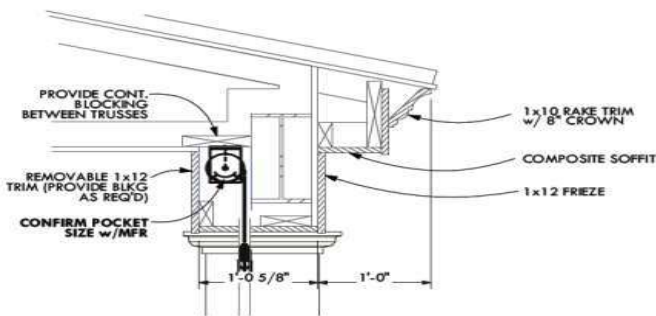
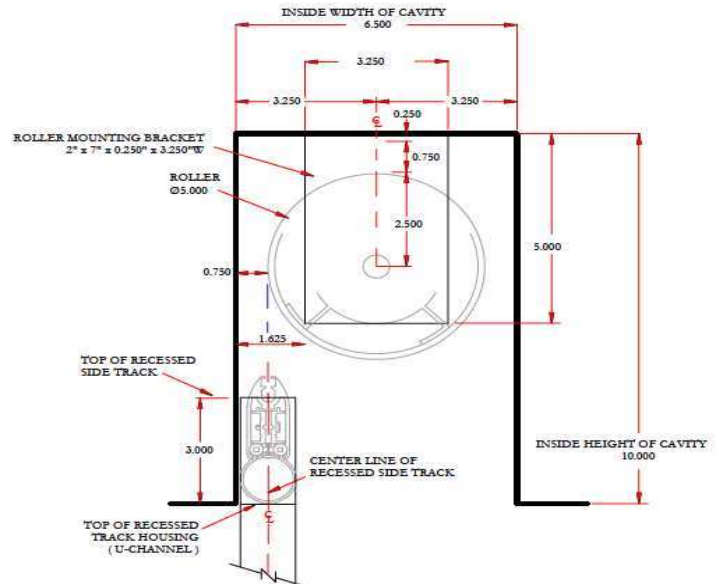
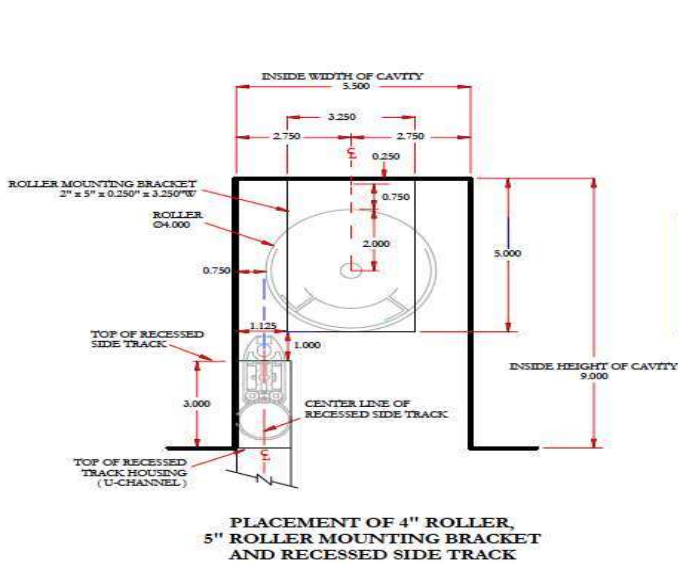
2 Different pocket sizes can be created depending on width and height of your unit.

The Smallest unit is 36" up to 20ft in width requires 5.5" X 10" pocket to accept the roller assembly on a recessed unit

Units higher than 11'1" or longer than 20ft require 7" X 11" pocket. All cavities must have removable access for the entire length of opening

Track placement comes down on outside edge of pocket(Not down the middle) Track Size is 1 3/8th wide by 2 1/8th deep (note back of bracket lines up with back of track channel).

4 inch roller dimensions 3ft – 20 ft. 5 inch roller 20+ft
Or above 11ft in height



Recessed track is 1 3/8th wide by 2 1/8th deep



Notes ; keep cavities free from Nails, cavities must have a removable board for future access, when using stone around columns there should be a 1/4 clearance on either side of track to insure no snagging issues, removable panels can be either under cavity or across face, Choice is contractor based on finishings and framing.



Arch construction



Pemko Brush pile application 90%

Electrical placement 110 with plug in.



What not to do for electric

