

Recessed Screens Builders Guide

2 Different pocket sizes can be created depending on width and height of your unit.

The Smallest unit is 36" up to 20ft in width requires 5.5" X 10" pocket to accept the roller assembly on a recessed unit

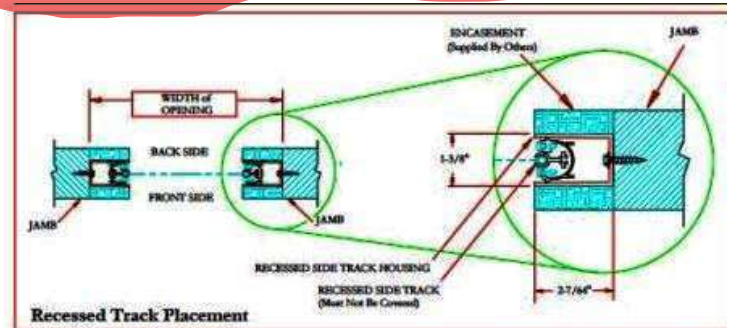
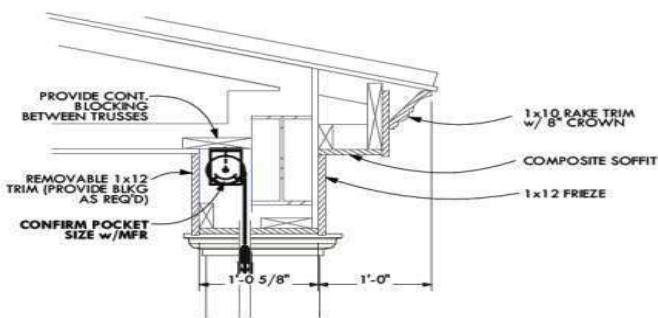
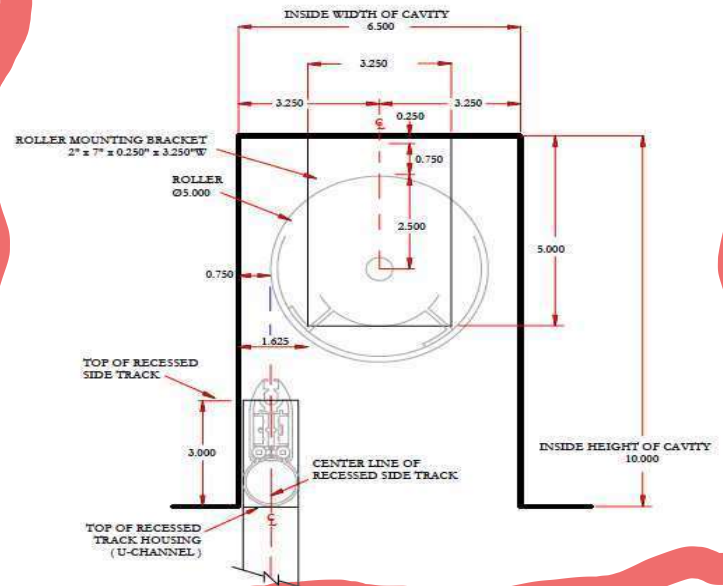
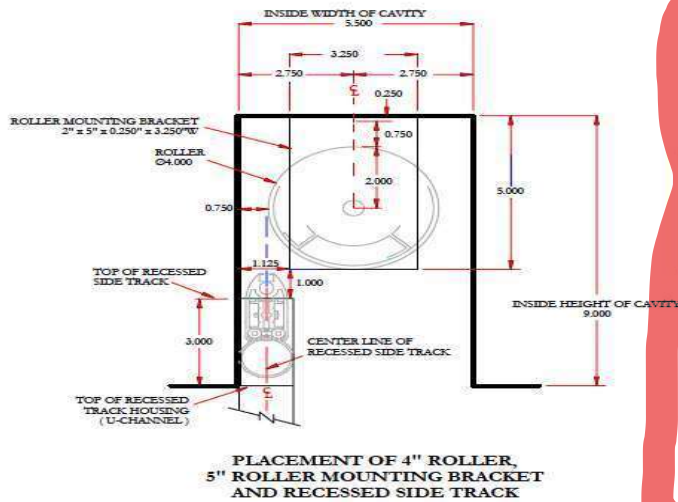
Units higher than 11'1" or longer than 20ft require 7" X 11" pocket. All cavities must have removable access for the entire length of opening

Track placement comes down on outside edge of pocket (Not down the middle) Track Size is 1 3/8" wide by 2 1/8" deep (note back of bracket lines up with back of track channel).

4 inch roller dimensions 3ft – 20 ft.

5 inch roller 20+ft

Or above 11ft in height



Recessed track is 1 3/8" wide by 2 1/8" deep